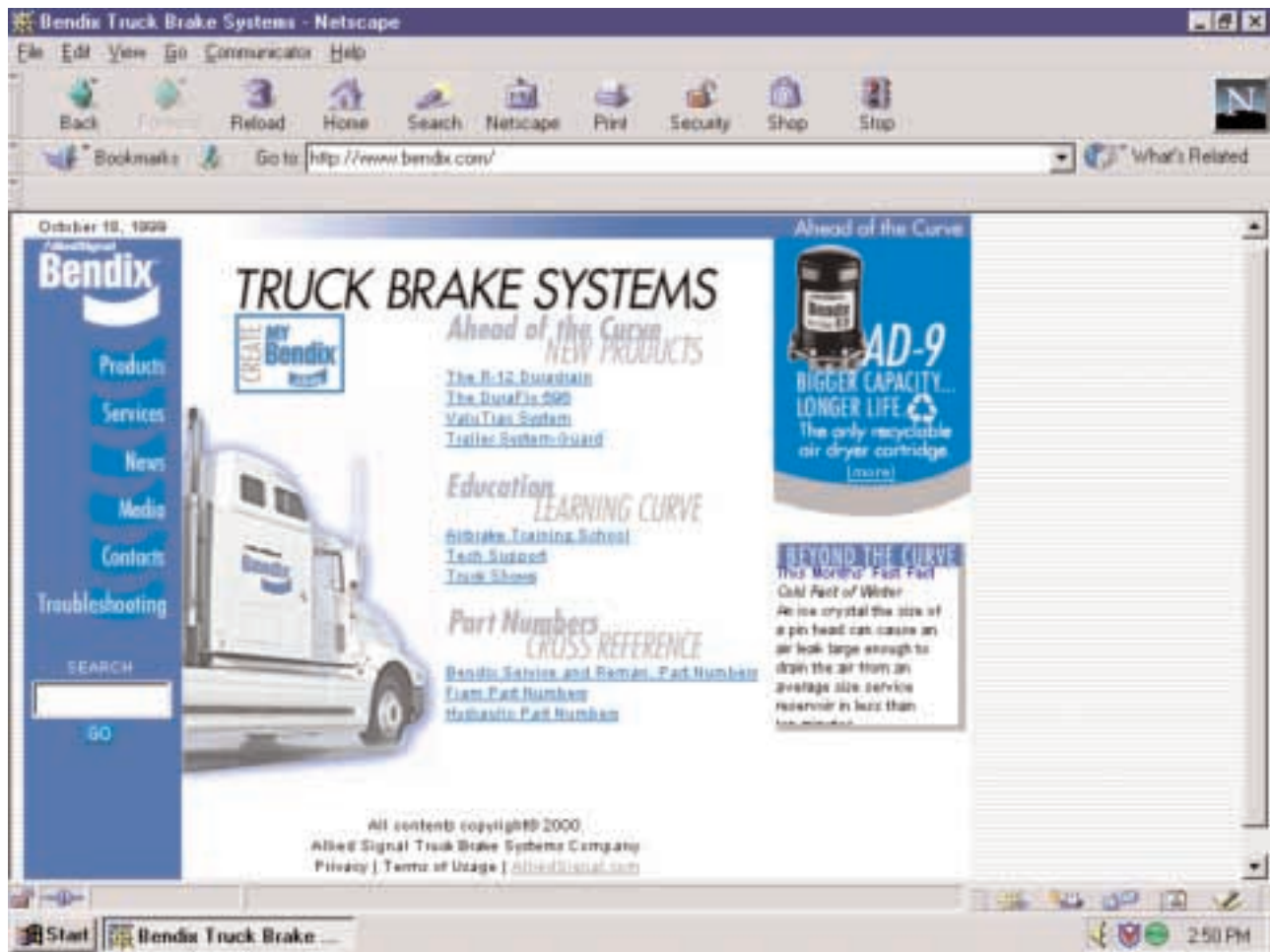




Ahead of the curve.

QUICK REFERENCE CATALOG



An advertisement for Bendix.com. On the left, a brown dog is sitting and holding a large, white, stylized number "8" in its mouth. To the right of the dog, the text reads "Instant part number retrieval. Bendix.com". In the bottom right corner, the Bendix logo is displayed with the tagline "Ahead of the curve." below it. At the bottom left, there is a paragraph of text: "Enter your Bendix part number and get the equivalent replacement part – in seconds. Want to find competitive filter and hydraulic numbers, too? Just check in at www.Bendix.com."

Product Group	Page	Product Group	Page
01 Compressors & Governors		05 Slack Adjusters	
Compressors	4-8	ASA-5, Yoke Adapters	39
Inlet Check Valve	8	Service Piece Numbers	40
Safety Valves & Governors	9, 10	Manual	41
Inlet Regulating Valve, Air Strainers	9	06 Indicating & Warning Devices	
Compressor Changeover	10-11	DS-1, DS-2, TE-1	42
02 Actuators		SL-3, SL-4, SL-5	43
Brake Chambers, Rotochambers, Spring Brakes, Diaphragms, Springs, Yoke Assy.	12-13	LP-2, LP-3	44
03 Air System Components		Air Horn Kits	45
Brake Valves		07 Tubing & Fittings	
E-2, E-3, E-5, E-6	14	C-5 Cut-out Cock, Drain Cock, DV-2	46
E-8P, E-10P, E-10PR, E-12, E-14, E-15	15	Tubing & Tubing Clamps	47
E-7, E-10	16	Tubing Inserts, Nylon Tubing	47
TC-2, TC-6, TC-7	17	Tubing Fittings	47-52
Inversion Valves		Reducer Bushings	50
TR-2, TR-3	18	Air Brake Hose	
Pressure Protection Valves		Hose, Hose Assy., Hose Fittings & Suspension Spring	52-55
PR-2, PR-4	19	Hose Couplings, Dummy Couplings	55-56
Check Valves		08 Air Dryers & Alcohol Evaporators	
Double	19	AD-9	57
Single, Right Angle Check Valves	20	AD-4, AD-SP	58
Quick Release Valves		AD-IP	59
QR-L	20	AD-2	60
QRN-2, QR-1, QRN,	21	PuraGuard	56
QR-1C, LQ-2, LQ-4	22	EverFlow™ Air Dryer Module	61
LQ-5, BP-1, BP-R1	23	Trailer System-Guard®	61
Control Valves		Gaskets	61
PP-1, PP-2, PP-3	24	09 Fan Clutch	
PP-5, PP-7	25	FD-1, FD-L, TorqueMaster FD-3 Air Conditioning Override Kits, Fan Clutch Controls Kits	62
PP-8, PP-DC, RD-3	26	Control Valves, Fan Clutch Accessories, Fan Spacers	63
MV-1, MV-2	27	13 AntiLock	
MV-3, TC-4	28	M-30 Modulator	64
TW-1, TW-2, TH-3	29	WS-20 Wheel Speed Sensor	64
TW-3, TW-4, TW-11, SV-1	30	14 Brake Block	65
Relay Valves		15 Electronics	
R-6, R-8, R-8P	32	ET-2, ET-S, ET-S2	66
R-12, R-12P	33	20 Medium Duty Hydraulics	
R-14, RE-6, HR-1	34	Brake Calipers	68-69
Safety Valves		Sales Promotions and Training Materials	
ST-3	34	Order Guide	70-72
Spring Brake Valves		100 Typical Air Systems	73-74
SR-1, SR-2, SR-4	35		
SR-5, R-7	36		
Tractor Protection Valves			
TP-3, TP-4, TP-5	37		
TP-3DC	36		
Valve Changeover	38		

Section I: Compressor Sizes

BX-2150

9.5 CFM AT 1250 RPM



TU-FLO 400

7.25 CFM AT 1250 RPM



TU-FLO 500

12 CFM AT 1250 RPM



TU-FLO 501

12 CFM AT 1250 RPM



TU-FLO 550

13.2 CFM AT 1250 RPM



TU-FLO 600

14.5 CFM AT 1250 RPM



TU-FLO 700

15.5 CFM AT 1250 RPM



TU-FLO 750

16.5 CFM AT 1250 RPM



TU-FLO 1000

24 CFM AT 1250 RPM



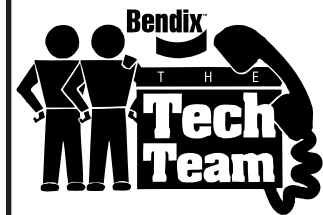
TU-FLO 1400L

31 CFM AT 1250 RPM



DURAFLO™ 596

27 CFM AT 1250 RPM



Phone Numbers:
1-800-AIR BRAKE
(1-800-247-2725)

or

440-329-9622 / -9634
Fax: 440-329-9556

- Compressor information in this catalog is divided into three (3) sections. Section I - displays various compressors in the Bendix product line. Section II - contains a series of charts depicting the most popular engine/ compressor combinations and the appropriate mounting flange. Section III - shows compressor maintenance kit information.

- Bendix air compressors are designed to meet a wide range of vehicle needs.

- Several sizes and various mounting configurations are available.

- Compressors are available remanufactured exchange.

V.M.R.S. 13-009

Section II Compressors

		REMANUFACTURED EXCHANGE COMPRESSORS					
FLANGES	ENGINES	TU-FLO 500	TU-FLO 501	TU-FLO 700**	TU-FLO 1400	TU-FLO 550	TU-FLO 750
	Caterpillar 3406	285131	286546	289349	-	-	-
	Caterpillar 3406B	-	103274	103278	104583	107509	107508
	Caterpillar 3408	284310	286552	289744	-	-	-
	Mack 6 Cylinder See Bulletin PRO-01-7 for Mack c/o	284662	286544	289340	-	107511	107510
	Caterpillar 3176	-	-	-	104584	107553	107917
	Caterpillar 3116	-	-	-	-	107981	-
	Mack 8 Cylinder	277122	286574 286621	289348		108329	107869
	Cummins NH,NTC,KT,KTA Series Engines See Bulletin PRO-01-2	284718* 284699	286618* 286554	289339		107506	107507
	Cummins VTB-903 Cummins VT-903 Cummins VT-350 See Bulletin PRO-01-2	- - -	- 286570 286570	- 101590 101590			
	Series 60 Detroit Diesel 0° Tilt		286619❶	106780❶	107836	107622❶	107623❶
	Detroit Diesel 0° Tilt	276962	286539	289941	108779	107513	107512
	Detroit Diesel 45° Tilt	285252	286543	101158		-	-

❶SERIES 60 COMPRESSORS MUST BE REPLACED WITH SERIES 60 COMPRESSORS ONLY. FAILURE TO DO SO WILL RESULT IN COMPRESSOR DAMAGE.

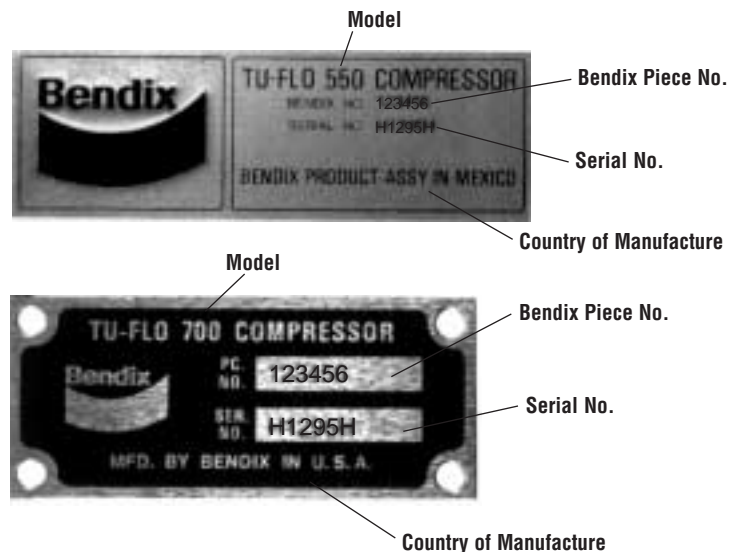
*TOP DISCHARGE - CYLINDER HEAD

**TU FLO-700 CYLINDER HEAD INCORPORATES BOTH SIDE & TOP DISCHARGE

Section III Compressor Nameplates

A nameplate is attached to the crankcase of all compressors. It displays the model, piece number (PC. NO.) and serial number (SER. NO.). When making reference to a particular part compressor use the piece number (PC. NO.) stamped on the nameplate.

The serial number is interpreted as follows: First is an alpha character (A through M skipping the letter I) representing January through December. The next four characters are numbers representing the day of the month followed by the year (two digits for each). The sixth and last character represents the manufacturing plant. For example serial number H1295H indicates the product was manufactured on August 12, 1995 in the Huntington, Indiana facility.



Compressor Maintenance and Service Kits

COMPRESSOR MODEL	U-7 ¹ / ₄	E & F-12	BX-2150	TU-FLO 300	TU-FLO 400	TU-FLO 500	TU-FLO 501
NUMBER OF CYLINDERS	2	2	1	2	2	2	2
FIELD MAINT. KIT	NA	NA	108848 109356 (CAT)	229415	229416	229417	287043
UNLOADER KIT	NA	NA	108847	279613	279614	279615	279615
GASKET SET	NA	NA	NA	NA	280511	280512	101558
PISTON RING SETS (3) = 3 ring piston (4) = 4 ring piston (5) = 5 ring piston Unless otherwise indicated one piston ring set services the entire compressor.							
Standard Size	226721	225514	104045	226778	226721 (4) 289603 (3)	225514	106105 (5)
.010 O.S.	226722	225515	104046	226779	226722 (4) 289604 (3)	225515	106106 (5)
.020 O.S.	226723	225516	104047	226780	226723 (4) 289605 (3)	225516	106107 (5)
.030 O.S.	226724	225517	104048	226781	226724 (4) 289606 (3)	225517	106108 (5)
.040 O.S.	NA	NA	NA	NA	NA	NA	5005216
PISTON AND WRIST PIN KITS (5) = 5 ring piston * These piston and wrist pin kits have a selected fit. A set contains one piston & one pin. All other piston & wrist pin kits have a non-selected fit and each kit contains one piston, one wrist pin & two wrist pin buttons.							
Standard Size	NA	NA	104049	225704*	289438	289928	106109 (5)
.010 O.S.	NA	NA	104050	226630*	289439	289929	106110 (5)
.020 O.S.	NA	NA	104051	226631*	289440	289930	106111 (5)
.030 O.S.	NA	NA	104052	226632*	289441	289931	106112 (5)
.040 O.S.	NA	NA	NA	NA	NA	NA	5005217
ALUMINUM CONNECTING RODS (services 1 connecting rod)							
Without Inserts	229083	NA	NA	NA	229083	NA	NA
With Std. Inserts	229082	NA	102398 (Std.) 107465 (.010 O.S.) 107466 (.020 O.S.)	227479 (Std.) 283498 (.010 O.S.) 283499 (.020 O.S.) 283500 (.030 O.S.)	229082	NA	NA
STEEL CONNECTING RODS (services 1 connecting rod)							
Without Inserts	NA	229085	NA	NA	NA	229085	286258
With Std. Inserts	NA	NA	NA	NA	NA	NA	286259 287057(M)
CONNECTING ROD INSERT KIT (services 1 connecting rod)							
Standard Size	282763	282767	NA	NA	282763	282767 287062(M)	286254 287058 (M)
.010 O.S.	282764	282768	NA	NA	282764	282768 287063(M)	286255 287059 (M)
.020 O.S.	282765	282769	NA	NA	282765	282769 287064(M)	286256 287060 (M)
.030 O.S.	282766	282770	NA	NA	282766	282770	286257 287061(M)
.040 O.S.	NA	NA	NA	NA	NA	NA	5005218 5005219 (M)
PISTON, RINGS & CONN. ROD KIT (services the entire compressor)	NA	NA	NA	NA	NA	NA	NA
CRANKSHAFT BEARING KIT	NA	NA	NA	NA	NA	NA	NA

(M) For Mack style compressors with power steering driven by the compressor crankshaft.

NA - Not Available

Compressor Maintenance and Service Kits

COMPRESSOR MODEL	TU-FLO 550	TU-FLO 600	TU-FLO 700	TU-FLO 750	TU-FLO 1000	TU-FLO 1400
NUMBER OF CYLINDERS	2	2	2	2	4	4
FIELD MAINT. KIT	107516	229417	289998	107516	229417 (2 req'd.)	104592
UNLOADER KIT	107515	279615	279615	107515	279615 (2 req'd.)	279615 (2 req'd.)
GASKET SET	NA	101559	101559	NA	NA	NA
PISTON RING SETS (3) = 3 ring piston (4) = 4 ring piston (5) = 5 ring piston Unless otherwise indicated one piston ring set services the entire compressor.						
Standard Size	107639	282525 (5)	282525	5005361	288646	282525 (2 req'd.)
.010 O.S.	107640	282526 (5)	282526	5005362	288647	282526 (2 req'd.)
.020 O.S.	107641	282527 (5)	282527	5005363	288648	282527 (2 req'd.)
.030 O.S.	107642	282528 (5)	282528	5005364	288649	282528 (2 req'd.)
PISTON AND WRIST PIN KITS (5) = 5 ring piston * These piston and wrist pin kits have a selected fit. A set contains one piston & one pin. All other piston & wrist pin kits have a non-selected fit and each kit contains one piston, one wrist pin & two wrist pin buttons.						
Standard Size	107647	289891	289891	107643	289928	289891
.010 O.S.	107648	289892	289892	107644	289929	289892
.020 O.S.	107649	289893	289893	107645	289930	289893
.030 O.S.	107650	289894	289894	107646	289931	289894
ALUMINUM CONNECTING RODS (services 1 connecting rod)						
Without Inserts	NA	NA	NA	NA	NA	NA
With Std. Inserts	NA	NA	NA	NA	NA	NA
STEEL CONNECTING RODS (services 1 connecting rod unless otherwise noted)						
Without Inserts	108841 (serv. 2)	229085	229085	108841 (serv. 2)	288661	229085
With Std. Inserts	NA	NA	NA	NA	NA	NA
CONNECTING ROD INSERT KIT (services 1 connecting rod unless otherwise noted)						
Standard Size	107651 (serv. 2)	282767 287062(M)	282767	107651 (serv. 2)	282751	282767
.010 O.S.	107652 (serv. 2)	282768 287063(M)	282768 287063(M)	107652 (serv. 2)	282752	282768
.020 O.S.	107653 (serv. 2)	282769 287064(M)	282769 287064(M)	107653 (serv. 2)	282753	282769
.030 O.S.	107654 (serv. 2)	282770	282770	107654 (serv. 2)	282754	282770
PISTON, RINGS & CONN. ROD KIT (services the entire compressor)	108843 (std.) 5000334 (.010 O.S.) 5000333 (.020 O.S.) 5000332 (.030 O.S.)	NA	NA	108842 (std.) 5000331 (.010 O.S.) 5000330 (.020 O.S.) 5000329 (.030 O.S.)	NA	NA
CRANKSHAFT BEARING KIT	107969	NA	NA	107969	NA	NA

(M) For Mack style compressors with power steering driven by the compressor crankshaft.

NA - Not Available

BX-2150 Cylinder Heads

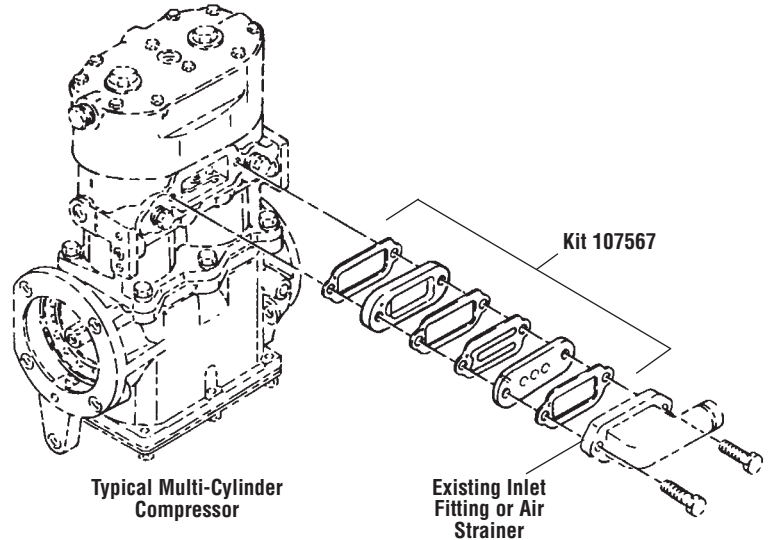
Inlet Check Valve

The inlet check valve may be used on naturally aspirated compressors to prevent oil misting during the unloaded cycle. **Do Not** use the inlet check valve if the compressor inlet is connected to the pressure side of the super-charger or turbocharger.

Important: *Installation of the inlet check valve assembly must be as shown in all illustrations.*

Applications & Kits

Comp. Model	Kit	Comments
TF-300	—	Not available for TF-300
TF-400	107567	
BX-2150	See Illustration & Notes Below	
TF-500	107567	
TF-501	107567	
TF-550	107567	
TF-700	107567	
TF-750	107567	
TF-1000	107567	Two kits required
TF-1400	107567	Two kits required

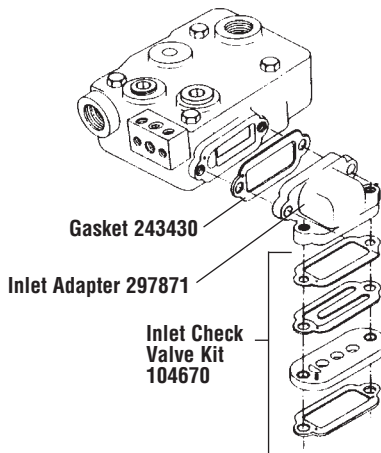


BX-2150 Cylinder Heads

Old Style

Kit 104670

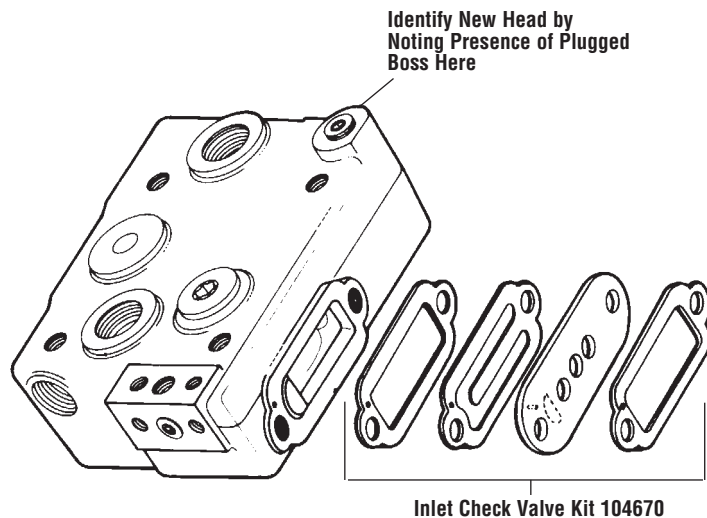
Adapter 297871 REQUIRED



Failure to install adapter 297871 when using an inlet check valve with this style head . . . WILL RESULT IN COMPRESSOR DAMAGE

New Style

Kit 104670 Adapter NOT REQUIRED



ST-4 Safety Valve

V.M.R.S. 13-010-073

ST-4 Pc. No.	Used in Conjunction with	Pressure Setting	Thread	No. of Holes
131081	Tu-Flo 550 & 750 Compressor	250 psi	1/2 NPT	1
800350	Dryer Reservoir Module	150 psi	1/4 NPT	2



D-2 Governor

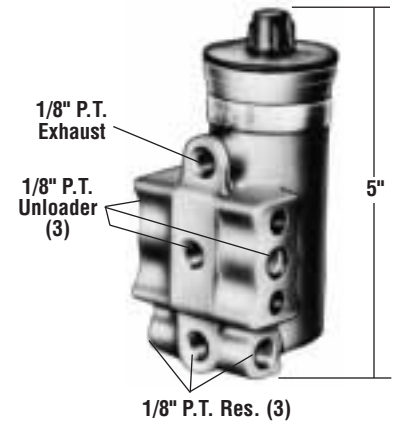
- Available Remanufactured Exchange
- Maintenance Kit With High Temperature O-Rings PC. No. 280915
- Maintenance Kit With Standard O-Rings 276121

V.M.R.S. 13-010-018

- Operating cut-in and cut-out pressures are adjustable to O.E. equivalent pressures except 065018

BASIC VALVES		
Pc. No.	Pressure Range P.S.I.	Comments
065018	100-120	Non-Adjustable
275491	100-120	—
275707	105-125	—
284358	105-125	See Note 1

1 Governor supplied with high temperature o-rings and waterproof cover



Inlet Regulating Valve

Inlet Regulating Valve Pc. No.
104171

Do not use on a BX-2150 Compressor. Cannot be used on a TF-300 Compressor.



Air Strainers



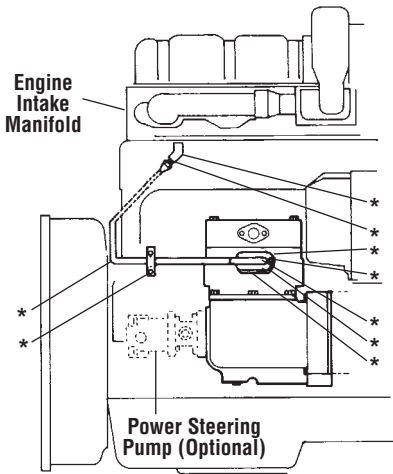
Air Strainer Kit Pc. No.	Air Strainer
278500	279901

Kit includes air strainer & hardware. Cannot be used on a TF-300 Compressor.



Air Strainer Kit Pc. No.	Air Strainer
227785	226469

Turbocharge Kit For Mack inline six engines



All Tu-Flo 500 and 501 Compressors installed on the Mack inline six engine must have their air inlet connected to the engine intake manifold. If the Midland compressor is not turbocharged use turbocharge inlet kit **260688**.

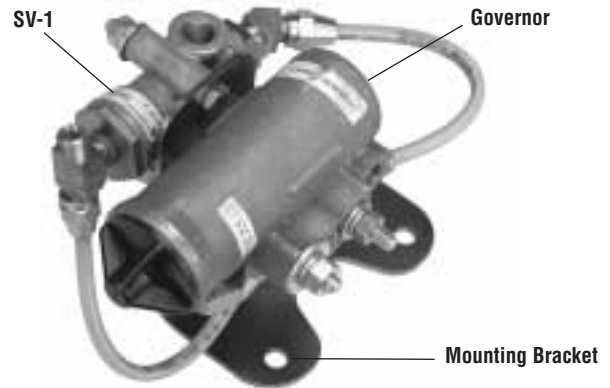
*Denotes items included in kit.
(Compressor not included)

The Bendix Compressor Changeover Kits include a Remanufactured Compressor and all drive components and hardware needed to changeover from a Cummins single cylinder compressor to a Bendix Tu-Flo 500, 501, 550, 700 or 750.

For more changeover information refer to the service parts catalog.

D-2/SV-1 Module

Used in conjunction with the DuraFlo™ 596 Compressor.



D-2/SV-1 Pc. No.	Type
5007116	Standard
5007404	High Temperature w/unloader hose

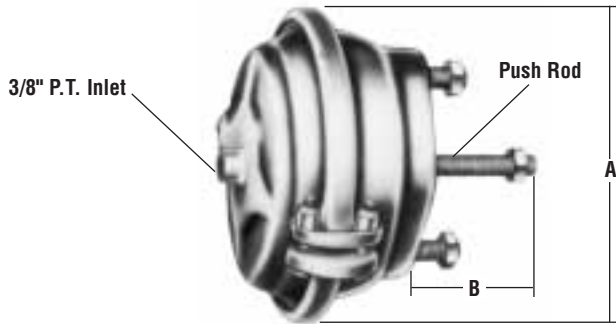


	Tu-Flo 400	Tu-Flo 500	Tu-Flo 501	Tu-Flo 700
CAT				
1W7146	289541	284790	286584	289336
7N4014		285131	286546	289349
FORD				
E1HT2875JB		281042	286542	289342
E2HT2875AA		281042	286542	289342
E3HT2875EB		281042	286542	289342
EOHT2875N2A		281042	286542	289342
IHC SERVICE				
97193R91	227404	227320	286526	289350
130573R91		283690		
143018R91	227404	227320	286526	289350
149628R91	227404	227320	286526	289350
179022R91	227404	227320	286526	289350
261187C93		283690		
261187R93		283690		
276468C93		283690		
278668C92	289444	276961	286538	289925
287668C91	289444	276961	286538	289925
287668C92	289444	276961	286538	289925
295435C91	227404	227320	286526	289350
326668C91	289818	228346		
337806C91	289818	228344		
338444C91	289819	228344		
348566C91	289819	228344		
398566C91	289819	228344		
398567C92	227403	227322	286527	101256
398568C91	227404	227320	286526	289350
398568C92	227404	227320	286526	289350
467418C91		281042	286542	289342
467876C91		283690		
468579C91		280962	286540	289925
476521C91		283690		
476522C91		280962	286540	289925
476523C91		281042	286542	289342
476524C91		284718	286555	289339
476525C91		283690		
480214C91		285131	286546	289349
480446C91		281042	286542	289342
480951C91		281042	286542	289342
570291C91		284718	286555	289339
861447R91	289819	228344		
861447R92	289819	228344		
861447R93	289819	228344		
861448R91	227404	227320	286526	289350
861448R92	227404	227320	286526	289350
861448R93	227404	227320	286526	289350
866781R91		280962	286540	289925
869935C91	289819	228346		
874706R92	227403	227322	286527	101256
874707R93	227403	227322	286527	101256
990003C91	289444	276961	286538	289925
990003C92	289444	276961	286538	289925
990007C91	227404	227320	286526	289350
990081C91	289819	228344		
990176C91	289819	228344		
990177C91	227403	227322	286527	101256
990178C91	227404	227320	286526	289350
990187C91 (R,R)		286527	286526	
990187C91 (L,L)		286526	286526	
990209C91	289819	228344		
990210C91	227404	227320	286526	289350
990271C91	289819	228346		
990418C91		281042	286542	289342
990419C91		280962	286540	289925
990420C91		284718	286555	289339
990421C91		283690		
994866C91		280962	286540	289925
997064R91	289819	228344		
997065R91	227404	227320	286526	289350
997104R91	227403	227322	286527	101256
997109R91	227403	227322	286527	101256
MACK				
303GB-578		284662	286544	289340
303GB-587		284662	286544	289340
303GB-4194		283690		
MIDLAND O.E.				
N5084 Series	227404	227320	286526	289350
N5085 Series	227404	227320	286526	289350
N5098, A	289818	228346		
N5098, W,AW,CW, DW,EW	227404	227320	286526	289350
N5303,B,D,F,H,M, S,W,X	227404	227320	286526	289350
N5303,C,E,G,J, N,V	227403	227322	286527	101256
N5308 A,C,D	227404	227320	286526	289350
N5308, B	227403	227322	286527	101256

	Tu-Flo 400	Tu-Flo 500	Tu-Flo 501	Tu-Flo 700
N5309	227404	227320	286526	289350
N5309A	227403	227322	286527	101256
N5310 Series	227404	227320	286526	289350
N5502 A,B,F	289444	276961	286538	289925
N5502 H	289508	276962	286539	289941
N5504 A	289508	276962	286539	289941
N5504 B	289444	276961	286538	289925
N5601 B,C,D,F,G, K,M,P,V	289819	228344		
N5601,E,J,L,R, S,W	289818	228346		
N5603 A,B,C	289818	228346		
N5603, D	289819	228344		
N6300 Series	227404	227320	286526	289350
N6400 Series	289818	228346		
N6403 Series	289818	228346		
N7002,A,C,F,G,H, K,L,M,N,P,R,S, T,V,W,X		283690		
N7004,A,B,C,D,F		284718	286555	289339
N7005,A,B,C,D,E, G,H,J,K,L,M,P, V,W		280962	286540	289925
N7006,B,C		283690		
N7009C,D,E,F,G		281042	286542	289342
N7010A,B,C,D,E, F,N		281042	286542	289342
N7011,A,B		284662	286544	289340
N7012A,B		285131	286546	289349
N7015,A	289541	284790	286584	289336
NT7011 Series		284662	286544	289340
MIDLAND SERVICE				
KN7000(L,L)	227406	228344		
KN7000(R,R)	227407	228346		
KN7010(L,L)	289496	228344		
KN7020	289513			
KN7030(L,L)	283426	279074	286526	289350
KN7030(R,R)	283429	279073		
KN7040	283426	279580	286526	289350
KN7050	283429	279073	286527	101256
KN7070	289444	276961	286538	289925
KN7080	289508	276962	286539	289941
KN7170	227404	227331	286526	289350
KN7180	227403	227322	286527	101256
KNX12031(R,R)		286527		
KNX12031(L,L)		286527		
KN13040		284718	286555	289339
KN13050(L,T)		280963	286540	
KN13050(R,T)		282928	286541	
KN13060		283690		
KN13070(L,T)		280963	286540	
KN13070(R,T)		282928	286541	
KN13090		281042	286542	289342
KN13100(L,T)		281042	286542	289342
KN13100(R,T)		285252	286543	
KN13110		284662	286544	289340
KNT13110		284662	286544	289340
KNT13120		285131	286546	289349
KNT13150	289541	284790	286584	289336
KNX7000(R,R)	227407	228346		
KNX7010(L,L)	289496	228344		
KNX7020	289513			
KNX7030(L,L)	283426	279074	286526	289350
KNX7030(R,R)	283429	279073		
KNX7040	283426	279580	286526	289350
KNX7050	283429	279073	286527	101256
KNX7060	289444	276961	286538	289925
KNX7070	289444	276961	286538	289925
KNX7080	289508	276962	286539	289941
KNX7170	227404	227331	286526	289350
KNX7180	227403	227322	286527	101256
KNX13020		283690		
KNX13040		284718	286555	289339
KNX13050(L,T)		280963	286540	
KNX13050(R,T)		282928	286541	
KNX13060		283690		
KNX13070(L,T)		280963	286540	
KNX13070(R,T)		282928	286541	
KNX13090		281042	286542	289342
KNX13100(L,T)		281042	286542	289342
KNX13100(R,T)		285252	286543	
KNX13110		284662	286544	289340
KNX13120		285131	286546	289349
KNX13150	289541	284790	286584	289336
KNX13160		281042	286542	289342
KTX13110		284662	286544	289340

R=Right, L=Left, T=Top for (Inlet, Discharge) designation

Brake Chambers



VMRS 13-010-034

Fully Threaded Push Rod

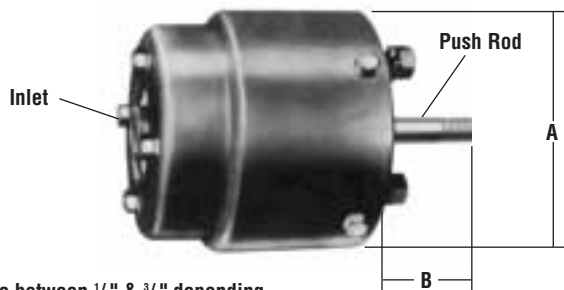
Brake Chamber Type	Standard w/Locknut Less Boot-Less Yoke Pc. No.	Weatherproof w/Boot w/Locknut-Less Yoke Pc. No.	A Overall Diameter	B Push Rod Length	Push Rod Thd.
9	288789	288791	5-1/4"	12"	1/2-20
12	288795	288798	5-5/8"	10-1/2"	1/2-20
16	288799	288801	6-1/2"	9"	1/2-20
20	288803	288806	6-3/4"	10-1/2"	5/8-18
24	288808	288812	7-3/8"	11"	5/8-18
30	288813	288817	8-1/4"	13-3/8"	5/8-18
36	288818	288820	9-1/16"	12"	5/8-18

Rotochambers

VMRS 13-010-034

Fully Threaded Push Rod

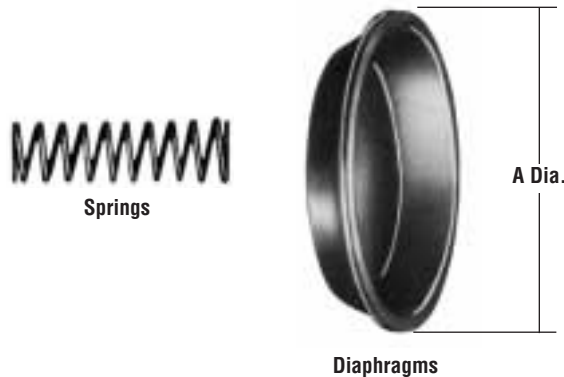
Note: Neoprene diaphragms are available



Inlet P.T. varies between 1/4" & 3/8" depending on chamber size & diaph. type.

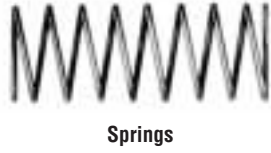
Roto Type	Weatherproof-w/Boot & Rubber Diaphragm Less Nut-Less Yoke	A Overall Diameter	B Push Rod Length	Push Rod Thd.
9	229814	4-3/4"	13"	1/2-20
12	229815	5-9/32"	11"	1/2-20
16	229816	5-7/8"	7-7/8"	1/2-20
20	229817	6-13/32"	6-7/8"	1/2-20
24	229818	6-15/16"	5-13/16"	1/2-20
30	229819	7-17/32"	9-1/16"	5/8-18
36	229820	8-5/32"	8-1/16"	5/8-18
50	229821	9-13/32"	10-15/16"	3/4-16

Brake Chamber Diaphragms & Springs
Clamp Ring Type



Brake Chamber Type	Diaphragm Material and Size			Spring Pc. No.
	Rubber	Neoprene	A Dia.	
9	234433	236663	5"	234435
12	234226	236664	5-15/32"	234229
16	234189	236665	6-13/64"	234192
20	234099	236666	5-19/32"	234129
24	234100	236667	7"	234130
30	234101	236668	7-7/8"	234131
36	234362	236669	8-11/16"	234365

Rotochamber Diaphragms & Springs

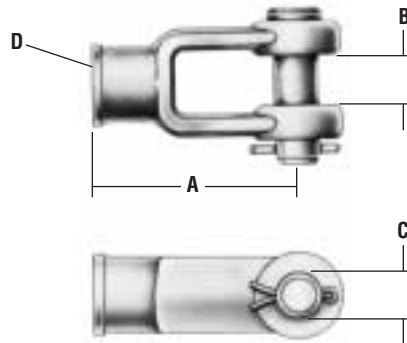


Rotochamber Type	Diaphragm Material and Size			Spring Pc. No.
	Rubber	Neoprene	A Dia.	
9	231472	236524	4-5/16"	231481
12	231506	236525	4-27/32"	231513
16	231525	236526	5-7/16"	231531
20	231928	236527	5-31/32"	231933
24	231516	236528	6-7/16"	231522
30	231543	236529	7-3/32"	231549
36	231534	236530	7-21/32"	231540
50	231491	236531	8-29/32"	231498

Yoke Assemblies

For Brake Chambers & Rotochambers

VMRS 13-004-018

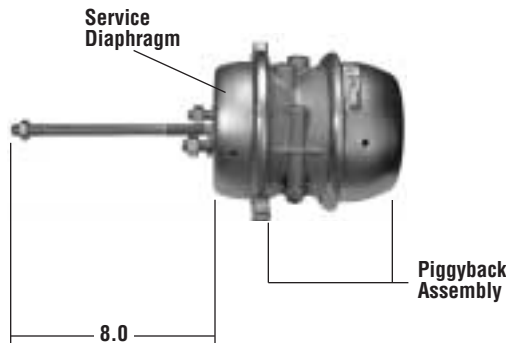


Yoke Assembly Pc. No.	A End to Pin	B Slot Width	C Pin Dia.	D Thread Size
205948	1-3/4"	9/16"	1/2"	1/2-20
228790	1-3/4"	9/16"	1/2"	5/8-18
228798	1-3/4"	9/16"	5/8"	5/8-18
229496	1-7/8"	13/16"	3/4"	5/8-18
282592	2"	13/16"	3/4"	3/4-16

Spring Brakes

Fully Threaded Push Rod

VMRS 13-010-025



Piece No.	Model/ Size	Piggyback	Service Diaphragm
5007129	T-20/24	5007123	234099
5007130	T-24/24	5007124	234100
5007131	T-24/30	5007125	234100
5007132	T-30/30	5007126	234101
5007133	T-30/36	5007127	234101
5007134	T-36/36	5007128	234362

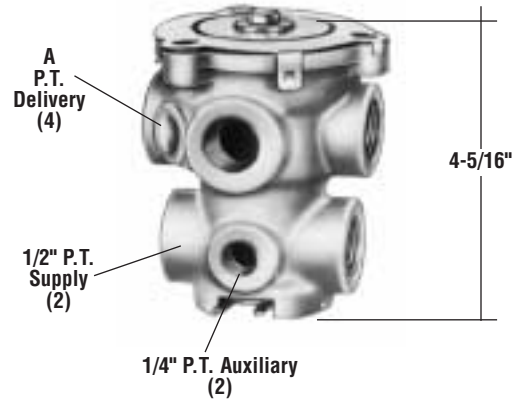
E-2 Brake Valve (Basic)

- Available Remanufactured Exchange
- Maintenance Kits
 - Pc. No. 276119 Minor Repair
 - Pc. No. 289324 Major Repair

Treadle and Mounting Plate
Not Furnished. If Required, Refer To
Master Parts Catalog

VMRS 13-010-019

Basic E-2 Pc. No.	A Pipe Thread (Delivery)
229500	3/8"
229501	1/2"

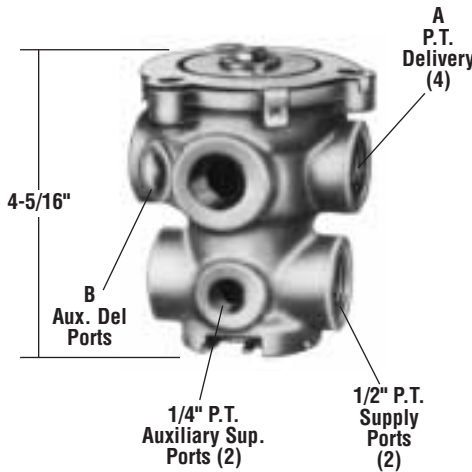


E-3 Brake Valve (Basic)

- Available Remanufactured Exchange
- Maintenance Kits
 - Pc. No. 276119 Minor Repair
 - Pc. No. 289329 Major Repair

Treadle and Mounting Plate
Not Furnished. If Required Refer To
Master Parts Catalog.

VMRS 13-010-019



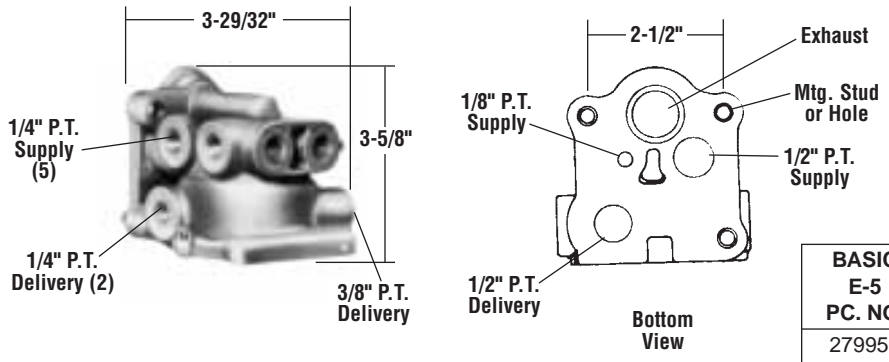
Basic E-3 Pc. No.	A Pipe Thread (Delivery)	B Auxiliary Ports
277863	1/2"	NONE
278998	1/2"	2-1/4"

E-5 Brake Valve (Basic)

- Available Remanufactured Exchange
- Maintenance Kits
 - Pc. No. 281084 Minor Repair
 - Pc. No. 289334 Major Repair

Pedal and Mounting Plate Not
Furnished. If Required Refer To Master
Parts Catalog.

VMRS 13-010-019



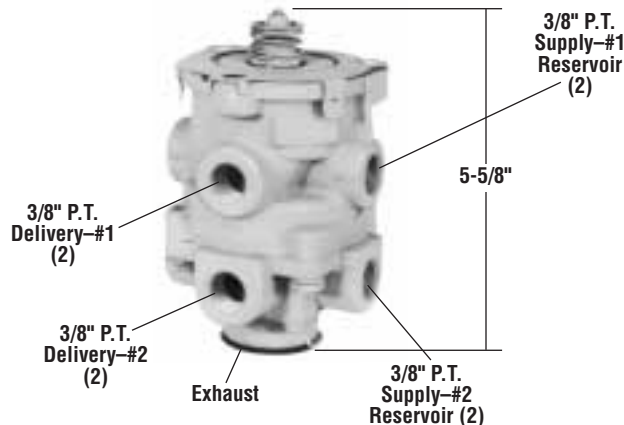
BASIC E-5 PC. NO.
279950

E-6 Dual Brake Valve (Basic)

- Available Remanufactured Exchange
- Maintenance Kits
 - Pc. No. 287368 Minor Repair
 - Pc. No. 289335 Major Repair

Treadle and Mounting Plate Not Furnished. If
Required Refer To Master Parts Catalog.

VMRS 13-010-051



BASIC E-6 PC. NO.
286171



E-8P

E-10P



E-10PR

NEW SERVICE BASIC E-8P	REPLACES E-12	COMMENTS
800629	065313, 800583	Lower Body Rotated 90°
800630	065458	Lower Body Rotated 90°
800631	065460, 800407	1/2 NPT Exhaust

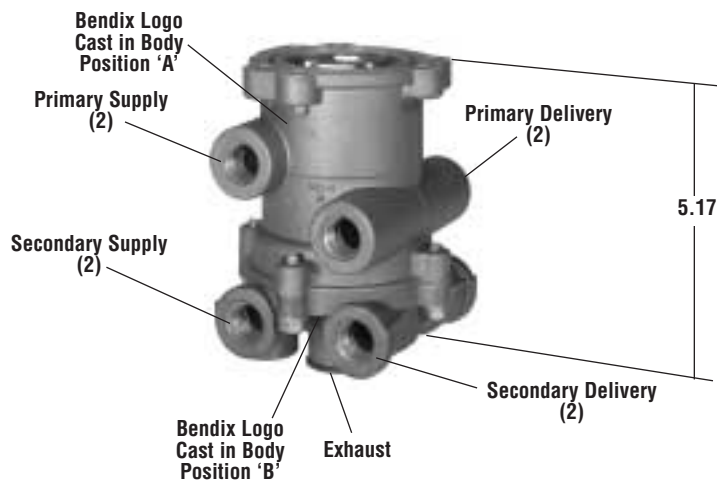
NEW SERVICE BASIC E-10P	REPLACES E-15
800632	065315
800632	800318

NEW SERVICE BASIC E-10P	REPLACES E-15R
800632	800319

E-12 & E-15 Dual Brake Valves (Basic)

• VMRS 13-010-051

KIT	Look for the location of the Bendix Logo to determine kit required	
	A	B
Minor	108367	106689
Major	108368	106690



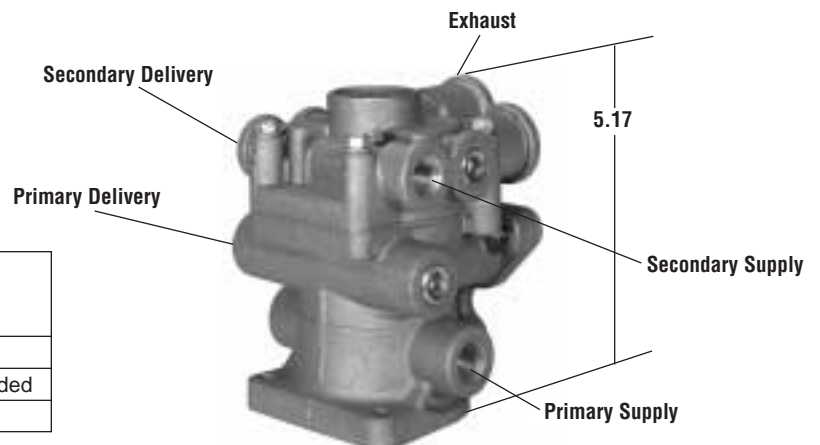
BASIC E-12 PC. NO.
065313

BASIC E-15 PC. NO.
065315

E-14 Dual Brake Valve (Basic)

• Maintenance Kits
 Pc. No. 108367 Minor
 Pc. No. 108368 Major

VMRS 13-010-051



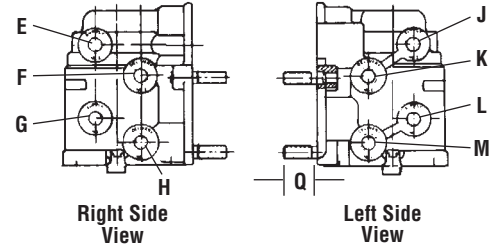
BASIC E-14 PC. NO.	COMMENTS
065314	—
065317	Exhaust Port Threaded
065395	Used with Manifold

E-7 Dual Brake Valve (Basic)

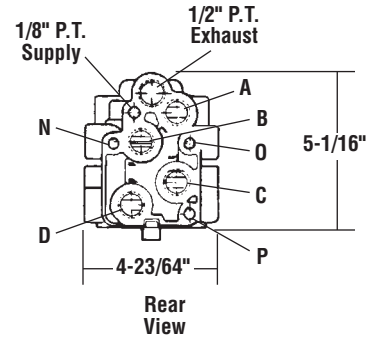
- Available Remanufactured Exchange
- Maintenance Kits
 - Pc. No. 289352 Minor Repair
 - Pc. No. 289353 Major Repair

Pedal and Mounting Plate Not Furnished. If Required Refer To Master Parts Catalog.

VMRS 13-010-051



Basic E-7 Pc. No.	Port Thread Sizes & Locations												Mtg. Studs in Positions "N", "O" "P"	Stud Length Q	Stud Thread Size
	A	B	C	D	E	F	G	H	J	K	L	M			
†284760	No Thd	No Thd	No Thd	No Thd	1/4	-	1/4	-	-	-	-	-	No	-	-
286773	1/2	1/2	1/2	1/2	1/4	1/4	1/4	1/4	1/4	1/4	1/4	1/4	Yes	1-1/2	3/8-24
286775	1/2	1/2	1/2	1/2	1/4	1/4	1/4	1/4	1/4	1/4	1/4	1/4	Yes	3/4	3/8-16
287411	1/2	1/2	1/2	1/2	1/4	1/4	1/4	1/4	3/8	3/8	3/8	3/8	No	-	-
*287564	1/2	1/2	1/2	1/2	1/4	3/8	1/4	3/8	1/4	1/4	1/4	1/4	Yes	15/16	3/8-16
*288383	1/2	1/2	1/2	1/2	1/4	1/4	1/4	1/4	1/4	1/4	1/4	1/4	No	-	-



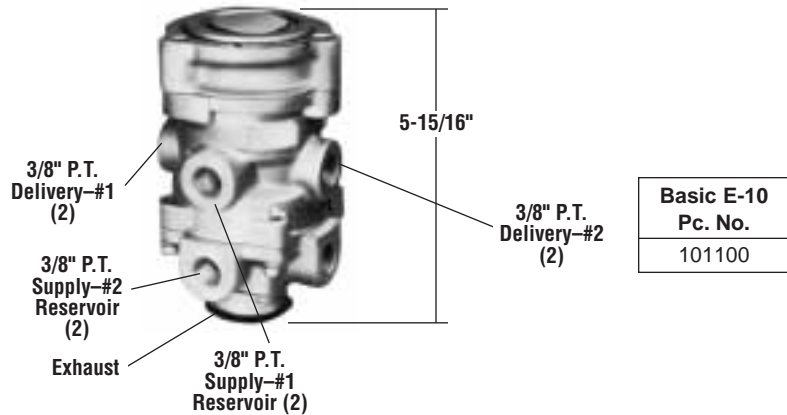
† Ford Basic Valve Kit: INCLUDES BASIC VALVE,
 (2) - 293561 - SEALING RINGS (6) - 247298 - SEALING RINGS
 (2) - 247227 - SEALING RINGS
 * EXHAUST PORT CONTAINS DIAPHRAGM

E-10 Dual Brake Valves (Basic)

- Maintenance Kit
Pc. No. 102100

Treadle and Mounting Plate Not Furnished. If Required, Refer to Master Parts Catalog.

VMRS 13-010-051

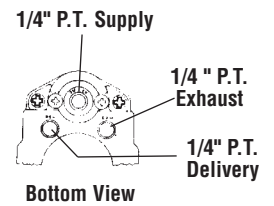
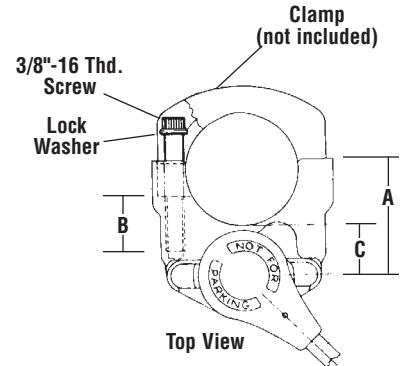


TC-2 Brake Valve (Basic)

- Available Remanufactured Exchange
- Maintenance Kit
Pc. No. 276122

Handle - Not Furnished. If Required
Refer To Master Parts Catalog.

VMRS 13-010-014



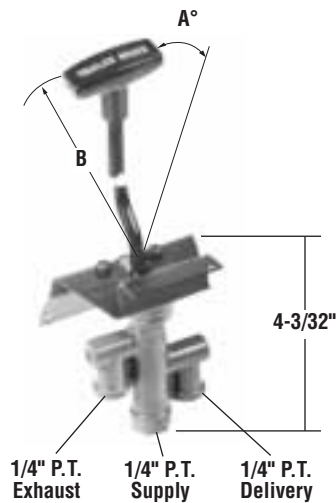
Basic TC-2 Pc. No.	Grad. Range Pressure (p.s.i.)	Final Delivery Pressure (p.s.i.)	A	B Thd./Drill Depth	C
101460	5-125	125	2.35	1.4	.97
276269	5-80	Reservoir	2.34	1.1	.97
276270	5-80	Reservoir	3.44	1.1	2.1
276793	5-80	80	3.44	1.1	2.1
285857	5-70	70	3.44	1.1	2.1
800172	5-125	Reservoir	1.25	Through	.09
800173	5-80	80	1.25	Through	.09

TC-6 Brake Valve

- Maintenance Kit
Pc. No. 289890

Mounting Plate Not Furnished. If Required
Refer To Master Parts Catalog.

VMRS 13-010-159



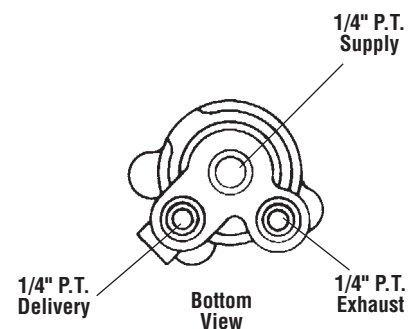
Basic E-6 Pc. No.	Handle	
	A°	B inches
065512	55	7.03
106385	55	8.93 Self Returning
101786	75	8.52

TC-7 Brake Valve

- Maintenance Kit
Pc. No. 102145

Handle and Mounting Bracket Not Furnished.
If Required Refer To Master Parts Catalog.

VMRS 13-010-159



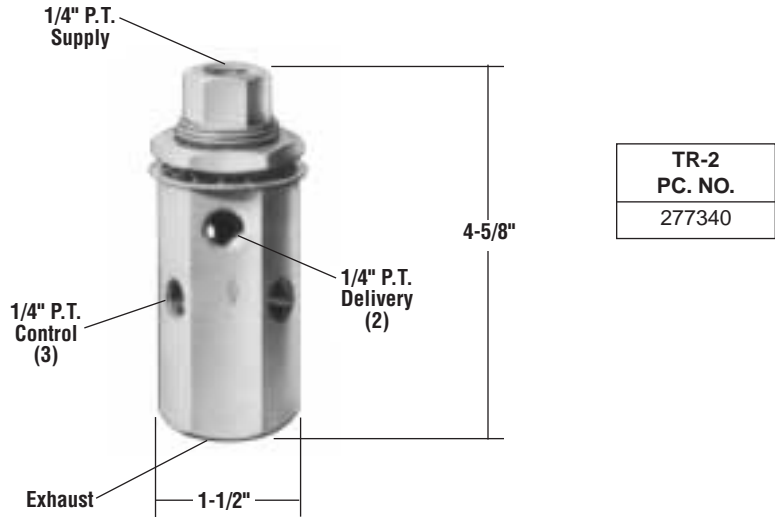
Basic TC-7 Valve Pc. No.	Remarks	Handle Travel
101860	Positioning	71° CW
102394	Self returning	71° CW
102707	Positioning	50° CW
108233	Self returning	50° CW

TR-2 Inversion Valve

- Available Remanufactured Exchange
- Maintenance Kit 281138

VMRS 13-010-047

NOTE: With 125 P.S.I. supply pressure valve must begin to exhaust at 65 P.S.I. nominal ascending control pressure. Valve must deliver full supply pressure with 40 P.S.I. nominal descending control pressure.



TR-2
PC. NO.
277340

TR-3 Inversion Valve

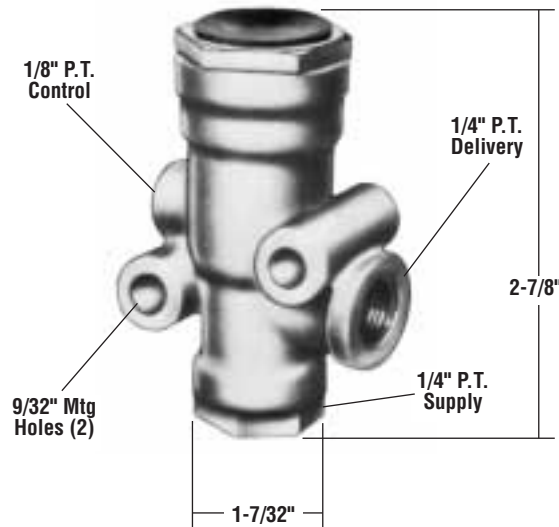
- Available Remanufactured Exchange

VMRS 13-010-047

NOTE: With common control & supply pressure inlet opens at "A" P.S.I. descending pressure and exhaust opens at "B" P.S.I. ascending pressure.

TR-3 Pc. No.	A PSI	B PSI
280758	45	60
281318	35	70
281459	25	40
*101450	25	40

*Special Duty-Bus Application



Air Brake Training from the Air Brake Experts

Bendix offers its four part computer-animated training video series entitled 'Air Brake Systems.' This complete training package contains one four part video and five workbooks featuring Bendix air brake components and related vehicle systems.

Informative and easy to understand video and workbooks

The video program teaches the entire air brake system in a building block format:

- Part 1 presents the air generation system
- Part 2 the service brake system
- Part 3 the emergency and parking brake system
- Part 4 the tractor equipment and complete trailer system

Each program is approximately 20 minutes and details air brake system components – from tractor to trailer - along with their operation. Computer animation makes this video easy to understand – pistons move, crankshafts rotate, and air changes color when pressure changes.

The workbook, which contains illustrations, system schematics, and questions and answers for immediate viewer feedback are also part of this training package.

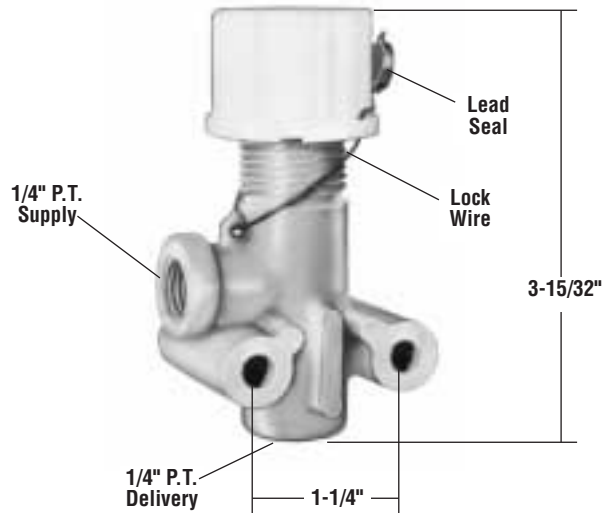
Order piece number BW1673.

PR-2 Pressure Protection Valve

VMRS 13-010-044

With Adjustable Pressure Setting.

PR-2 Pc. No.	Nominal Closing Pressure P.S.I.
277147	65
277148	85
277226	60
277227	75



PR-4 Pressure Protection Valve

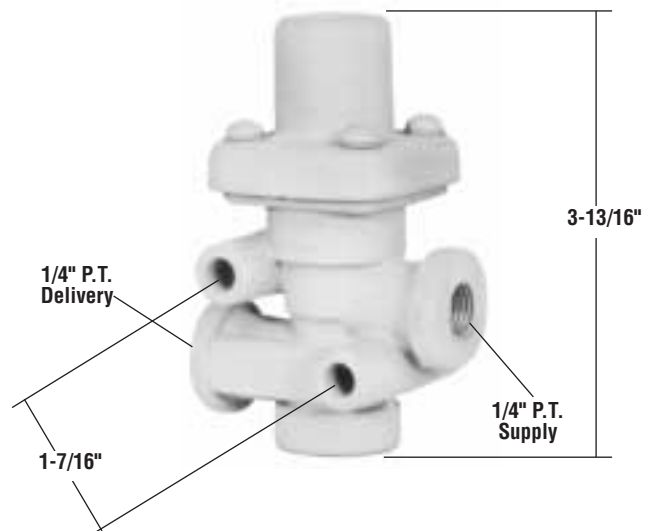
• Maintenance Kit [287366](#) (Note: Not for use with 103976)

VMRS 13-010-044

Fixed Pressure Setting.

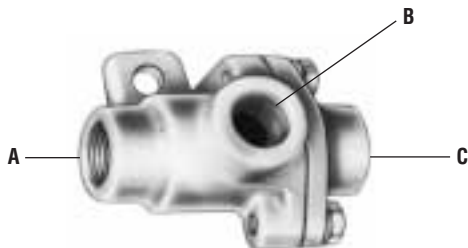
PR-4 Pc. No.	Nominal Closing Pressure	Supply & Delivery Ports
286500	85 P.S.I.	1/4
288323	70 P.S.I.	1/4
*103976	45 P.S.I.	1/2

*For use in aftercooler or air dryer installations where the compressor inlet is turbocharged. See Product Bulletin PRO-08-13 for installation instructions. Maint. Kit 287366 may not be used.

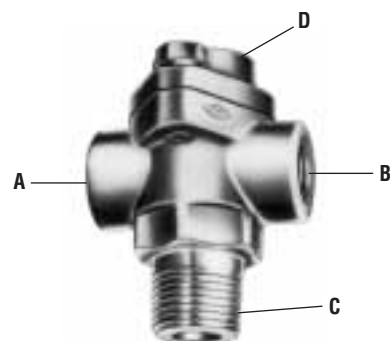


Double Check Valves

VMRS 13-010-092



DC-4 Double Check Valve Pc. No.	Pipe Thread Dimensions		
	A	B	C
278614	3/8"	3/8"	3/8"
278615	1/4"	1/4"	1/4"



DC-4 Double Check Valve Pc. No.	Pipe Thread Dimensions			
	A	B	C	D
278595	1/4"	1/4"	1/2"	1/4"
278596	3/8"	3/8"	1/2"	1/4"
278597	1/4"	1/4"	3/8"	1/4"
278598	3/8"	3/8"	3/8"	1/4"
280809	3/8"	3/8"	3/8"	3/8"

Single Check Valves – SC-3 valves replace both the SC-1 and SC-2 valves

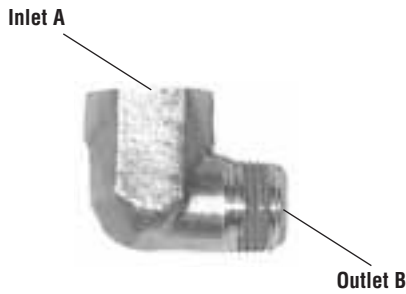
VMRS 13-010-013



Single Check Valve: Female inlet – Female outlet		
A	B	Service New Part Numbers
1/4"	1/4"	800371
1/2"	1/2"	800370
3/4"	3/4"	800369



Single Check Valve: Female inlet – Male outlet		
A	B	Service New Part Numbers
1/4"	1/8"	800374
1/4"	1/4"	800375
3/8"	3/8"	800373
1/2"	1/2"	800372

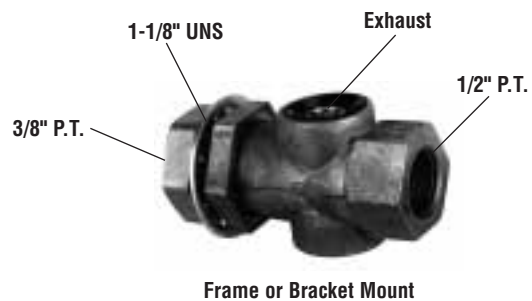


Single Check Valve: Female inlet – Male outlet		
A	B	Service New Part Numbers
1/2"	1/2"	800376

QR-L Inline Quick Release Valve

VMRS 13-010-008

Service Pc. No.	Description
800332	Frame or Bracket Mount
800333	Direct Mount



QRN-2 Quick Release Valve

The QRN-2 quick release valve is a lightweight, nonmetallic quick release valve.

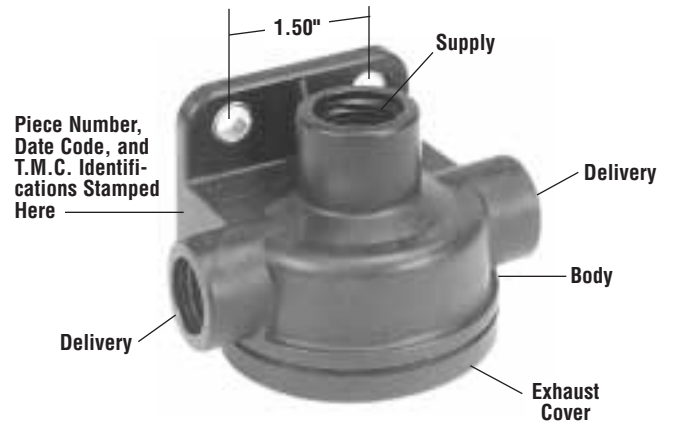
Supply port: 1/2" or 3/8"

VMRS No.: 13-101-008

Quick Release Valve Changeovers

QRN-2 Svc. Pc. No.	Supply Port	Crack Press.	Delivery Ports
800064	3/8" NPT	0 PSI	3/8" NPT
800063	1/2" NPT	0 PSI	3/8" NPT
800219	1/2" P.T.C.	0 PSI	1/2" P.T.C.

P.T.C. - Push-to-connect fittings



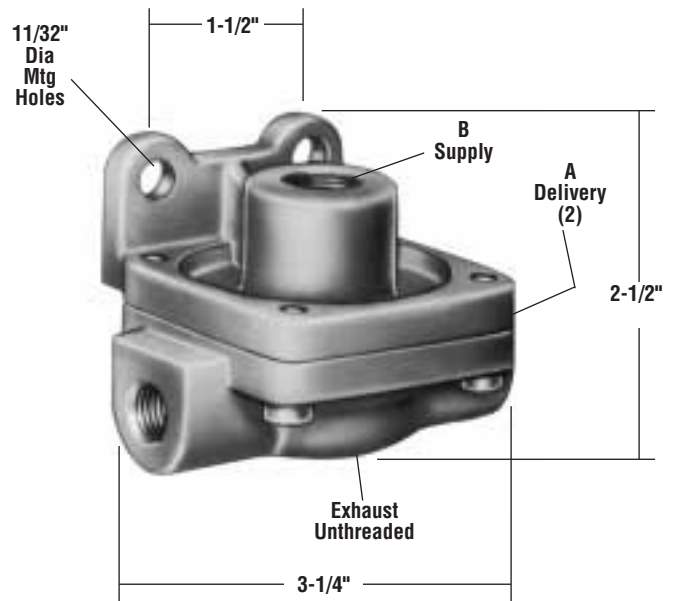
QR-1 Quick Release Valve

- Available Remanufactured Exchange

VMRS 13-010-008

QR-1 Reman. Exch. Pc. No.	QR-1 Service New Pc. No.	Port P.T. Size		Crack Press.
		A	B	
229813X	229813	1/4"	3/8"	1 PSI
229844X	229844	1/4"	1/2"	1 PSI
229859X	229859	3/8"	3/8"	1 PSI
229860X	229860	3/8"	1/2"	1 PSI
281024X	281024	1/4"	1/4"	1 PSI
*288251X	*288251	3/8"	3/8"	1 PSI
278483X	278483	3/8"	1/2"	5-8 PSI
102344X	102344	3/8"	3/8"	10-16 PSI

*3/8" P.T. Exhaust Port

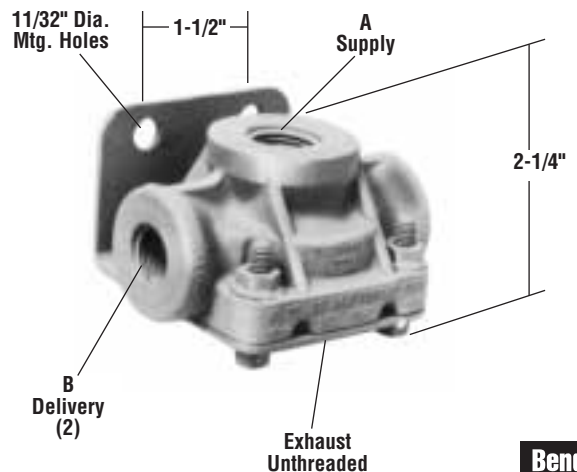


QRN Quick Release Valve

- Maintenance Kit 104463

VMRS 13-010-008

QRN Quick Release Valve Service Pc. No.	Port Sizes		Crack Press
	A Supply	B Delivery	
065066	1/2"	3/8"	1 PSI
065067	3/8"	3/8"	1 PSI
065068	3/8"	3/8"	5-8 PSI
065212	3/8"	3/8"	1 PSI Max
065214	3/8"	3/8"	3 PSI

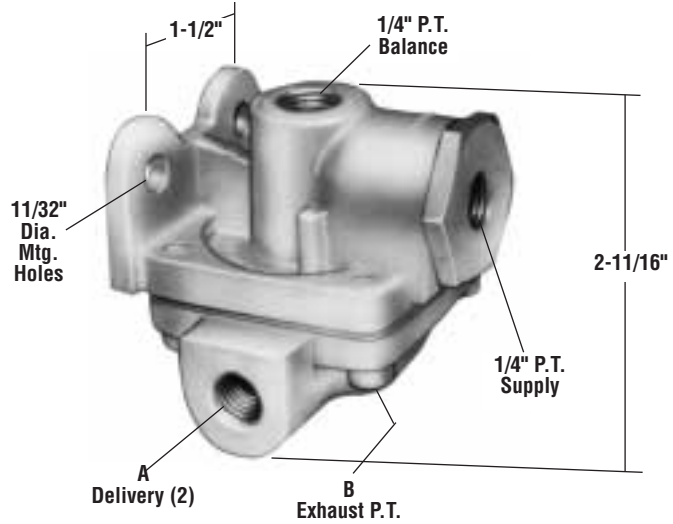


QR-1C Quick Release

- Available Remanufactured Exchange
- Supply and Delivery Differential is 1 PSI Max.

VMRS 13-010-008

QR-1C Reman. Exch. Pc. No.	QR-1C Service New Pc. No.	A Delivery P.T. Size	B Exhaust P.T. Size
289182X	289182	1/4"	-
289714X	289714	3/8"	-
-	107881	3/8"	1/2" w/Silencer

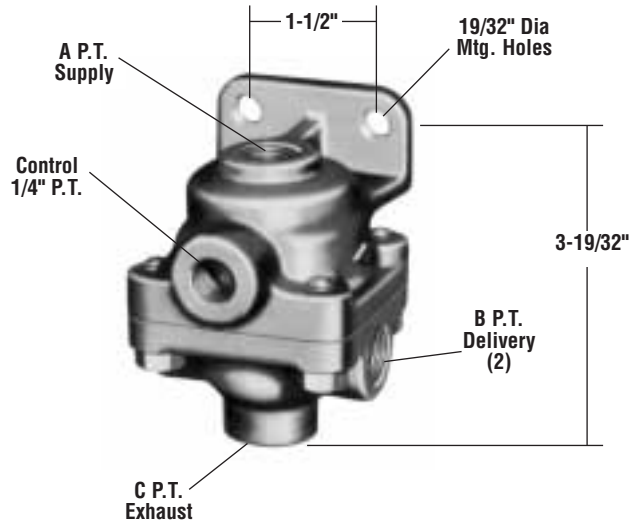


LQ-2 Limiting and Quick Release Valve

- Available Remanufactured Exchange
- Maintenance Kit 282098

VMRS 13-010-008

LQ-2 Reman. Exch. Pc. No.	LQ-2 Service New Pc. No.	A Pipe Thread	B Pipe Thread	C Pipe Thread
229505X	229505	3/8"	3/8"	-
229507X	229507	1/2"	1/4"	-
229509X	229509	3/8"	1/4"	-
288417X	288417	3/8"	3/8"	3/8"

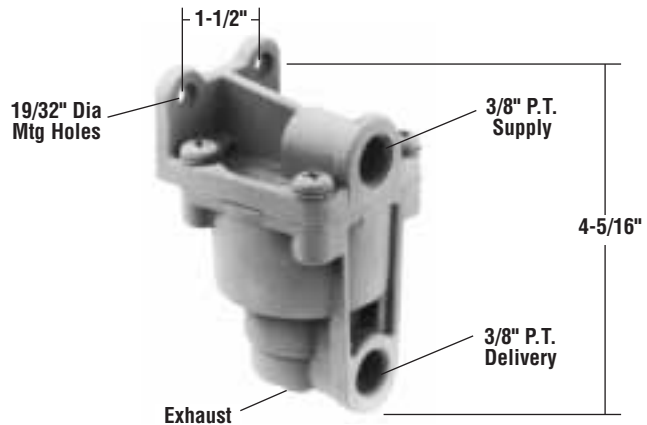


LQ-4 Front Axle Ratio Valve

- Available Remanufactured Exchange
- Maintenance Kit 289500

VMRS 13-010-034

LQ-4 Reman. Exch. Pc. No.	LQ-4 Service New Pc. No.	Nominal Hold Off Pressure	Nominal Equalizing Pressure
101311X	101311	20	70
289144X	289144	4	60
289148X	289148	10	65

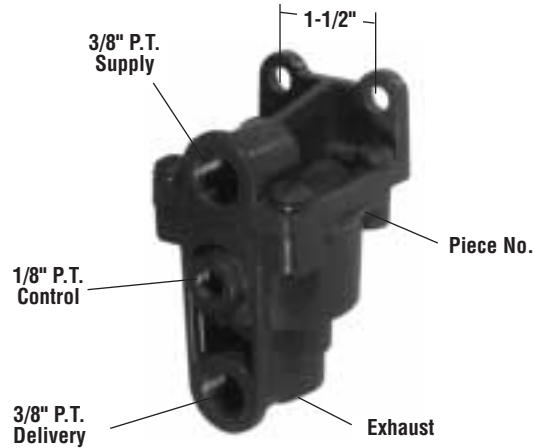


LQ-5 Bobtail Limiting Valve

- Available Remanufactured Exchange
- Maintenance Kit 107195

VMRS 13-010-010

LQ-5 Reman. Exch. Pc. No.	LQ-5 Service New Pc. No.
065154X	065154



BP-1 Air Brake Proportioning Valve

- BP-1 Front Maintenance Kit 104710
- BP-1 Rear Maintenance Kit 104711

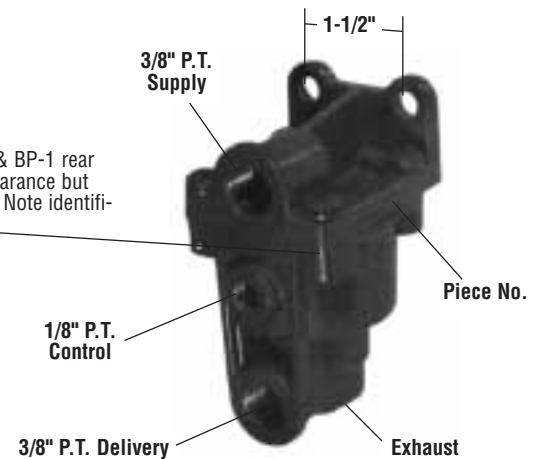
VMRS No. 13-010-222

BP-1 Front Pc. No.	Nominal Hold Off Press (P.S.I.)	Nominal Equalizing Pressure (P.S.I.)
104598	4	50

VMRS No. 13-010-222

BP-1 Rear Pc. No.	Nominal Inshot Pressure (P.S.I.)	Nominal Equalizing Pressure (P.S.I.)
106284	8	105

Caution: The BP-1 front & BP-1 rear valves are similar in appearance but are NOT interchangeable. Note identification tag located



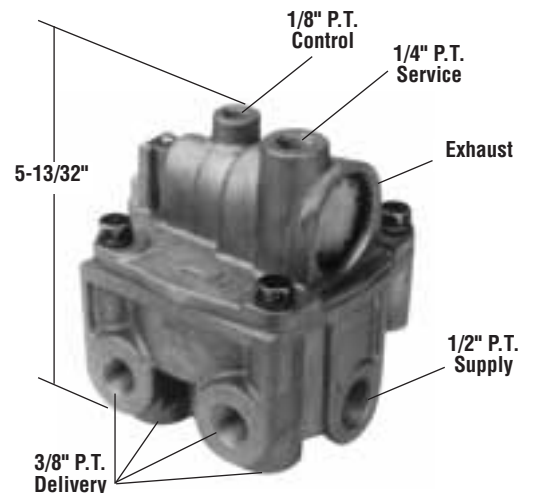
- Field Installation Kit **209923** (Vehicles **without** front axle limiting)
- Field Installation Kit **209924** (vehicles **with** front axle limiting)

BP-R1 Bobtail Brake Proportioning Relay Valve

- Maintenance Kit 106932
- Universal Mounting Bracket 296010 furnished with Exchange Valve

VMRS 13-010-222

BP-R1 Reman. Exch. Pc. No.	BP-R1 Service New Pc. No.	Crack Pressure
065145X	065145	4
065146X	065146	5.5



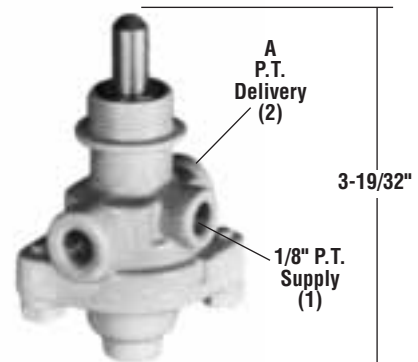
PP-1 Control Valve

- Available Remanufactured Exchange
- Maintenance Kit 281126
- Button and Mtg. Nut not Furnished with Exchange Valve
- Refer to Master Parts Catalog for Button or Dial Plate Pc. No.

VMRS 13-010-016

PP-1 Reman. Exch. Pc. No.	PP-1 Service New Pc. No.	Automatic Release Pressure	A P.T.
276566X	276566	20 PSI	1/8"
276567X	276567	40 PSI	1/8"
278450X	278450	—	1/8"
*281587X	*281587	40 PSI	1/8"
283828X	283828	60 PSI	1/8"
287417X	287417	30 PSI	1/4"
287600X	287600	40 PSI	1/4"

*Remote controlled

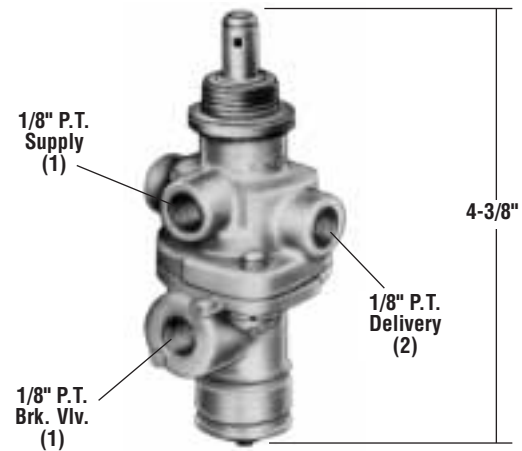


PP-2 Control Valve (Pressure Balanced)

- Available Remanufactured Exchange
- Maintenance Kit 281127
- Button and Mtg. Nut not Furnished with Exchange Valve
- Refer to Master Parts Catalog for Button or Dial Plate Pc. No.

VMRS 13-010-104

PP-2 Reman. Exch. Pc. No.	PP-2 Service New Pc. No.	Automatic Release Pressure
276462X	276462	40 PSI



PP-3 Control Valve (Automatic Tripper)

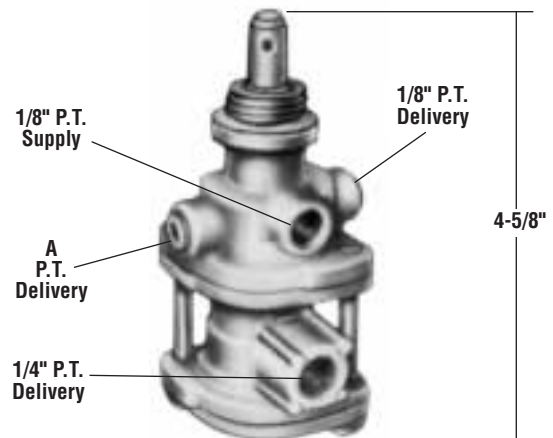
- Available Remanufactured Exchange
- Maintenance Kit 280857
- Button and Mtg. Nut not Furnished with Exchange Valve
- Refer to Master Parts Catalog for Button or Dial Plate Pc. No.

VMRS 13-010-016

PP-3 Reman. Exch. Pc. No.	PP-3 Service New Pc. No.	A P.T.
†*279787X	†*279787	None
288746X	288746	None
289477X	289477	1/8"
*289512X	*289512	1/8"

Tripper Exhausts at 30 P.S.I. & Charges above 50 P.S.I. Plunger Trips at 40 P.S.I. and Charges Manually.

*Remote Controlled
†Mtg. Nut Furnished

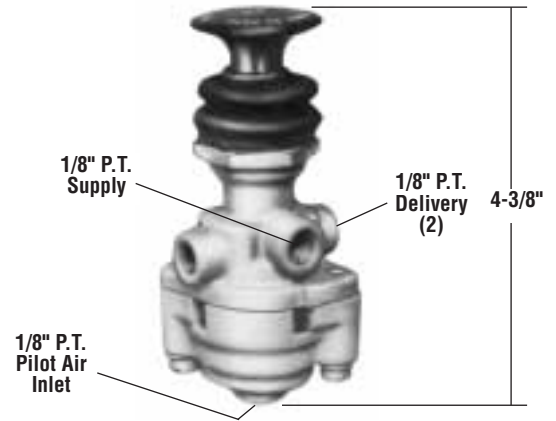


PP-5 Control Valve (With Pilot Air Release)

- Maintenance Kit 281949
- Button is Furnished with Valve Pc. No. 284744
- Refer to Master Parts Catalog for Button Pc. No.

VMRS 13-010-104

PP-5 Pc. No.	Automatic Release Pressure
281946	40 PSI
284744	Manual



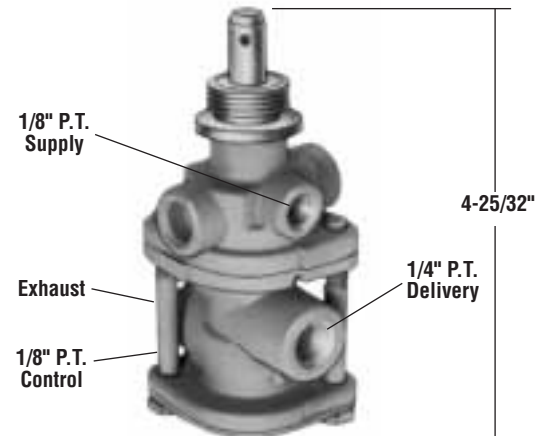
PP-7 Trailer Supply Valve

- Available Remanufactured Exchange
- Maintenance Kit 287367
- Button and Mtg. Nut not Furnished with Exchange Valve.
- Refer to Master Parts Catalog for Button or Dial Plate Pc. No.

VMRS 13-010-016

PP-7 Reman. Exch. Pc. No.	PP-7 Service New Pc. No.	Threaded Exhaust Port
288239X	288239	—
288241X	288241	1/4"
*288242X	*288242	—

Automatic Release Pressure 40 PSI



* Remote Controlled

Truck Products Catalogs Available

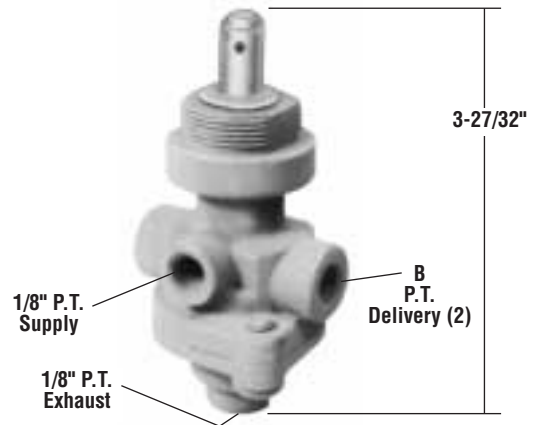
- BW1813 – Horton Fan Clutch
- BW1736 – Compressors
- BW1821 – International Parts
- BW1746 – Valves

PP-8 Control Valve

- Available Remanufactured Exchange
- Button and Mtg. Nut not Furnished with Exchange Valve
- Refer to Master Parts Catalog for Button or Dial Plate Pc. No.

VMRS 13-010-104

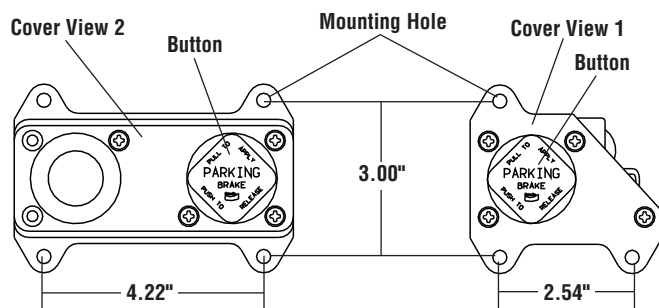
PP-8 Reman. Exch. Pc. No.	PP-8 Service New Pc. No.	B P.T.
287238X	287238	1/8"
287418X	287418	1/4"



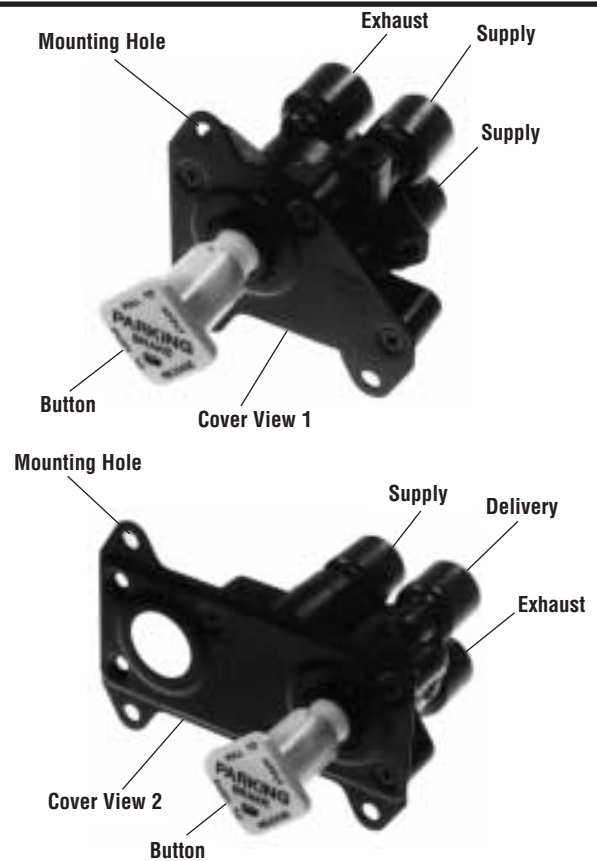
PP-DC Control Valve

- Maintenance Kit 109660

VMRS 13-101-017



Service Pc. No.	Cover View	Mounting Hole	Port Type
065643	2	.27" DIA.	Push-to-connect (3/8" O.D. Tubing)
065661	1	1/4"-20 THD.	Push-to-connect (3/8" O.D. Tubing)
065690	1	.27" DIA.	Push-to-connect (3/8" O.D. Tubing)
800034	2	.27" DIA.	1/4"-18 N.P.T.

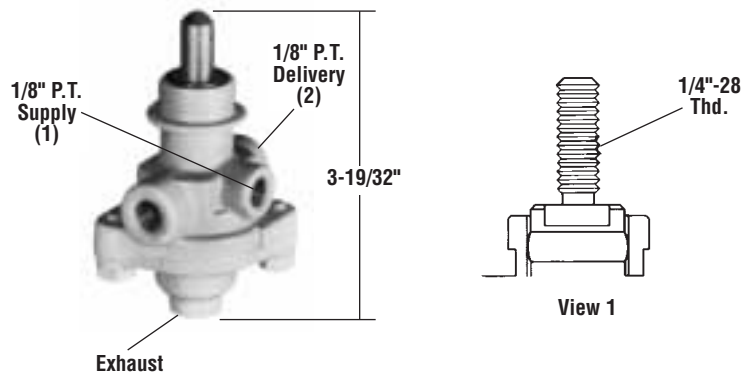


RD-3 Push Type Control Valve

- Available Remanufactured Exchange
- Maintenance Kit 281126
- Button Not Furnished with Exchange Valve, Roll Pin Furnished
- Refer to Master Parts Catalog for Button or Dial Plate Pc. No.

VMRS 13-010-104

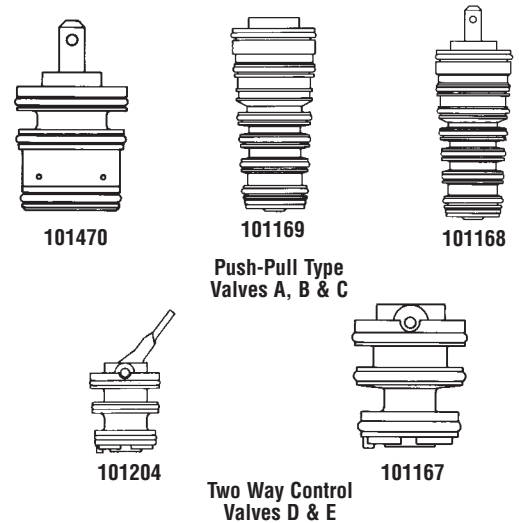
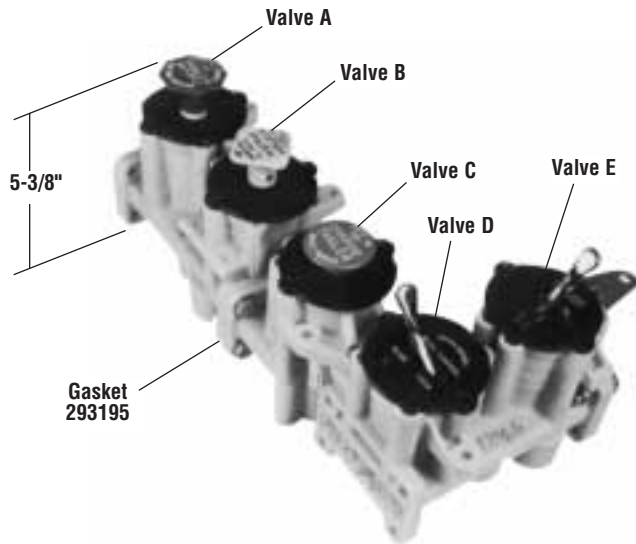
Basic RD-3 Pc. No.	Comments
286211	-
104644	See View 1



MV-1 Modutrol Assembly

- Buttons & Dial Plates are not included with spool inserts for valves "A", "B" & "C"
- For valves D & E a lever is supplied with insert 101204 Dial Plates are not supplied with spool inserts. Refer to Master Parts Catalog for Button & Dial Pc. Nos.

VMRS 13-010-112



*Bendix Pc. No.	Ford Pc. No.	Valve Insert				
		A	B	C	D	E
101177	E3HT-2A622-AA	101470	101470	101168	101204	101204
101179	EOHT-2A622-HA	101470	101470	101168	101167	101204
101180	-	101470	101470	101168	101167	101167
101182	EOHT-2A622-KA	101470	101470	101168	101204	101204
101561	EOHT-2A622-CB	101470	101470	101169	-	-
101562	EOHT-2A622-DB	101470	101470	101169	101167	101204
101634	E4HT-2A622-JA	101470	101470	101168	-	-

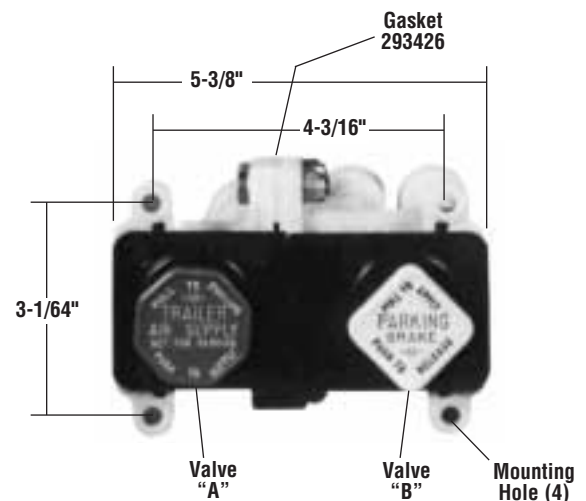
Valve Inserts are available for service only.
*Assembly numbers are for reference only.

MV-2 Control Module

- Buttons are not supplied with Spool Inserts. Refer to Master Parts Catalog for Button Pc. Nos.
- Maintenance kit for dual circuit supply valve is Pc. No. 101557.

VMRS No. 13-010-112

MV-2 Control Module Pc. No.	Mounting Hole
101437	1/4" UNTHREADED
101890	1/4-20 THD.
102027	#10-24 THD.

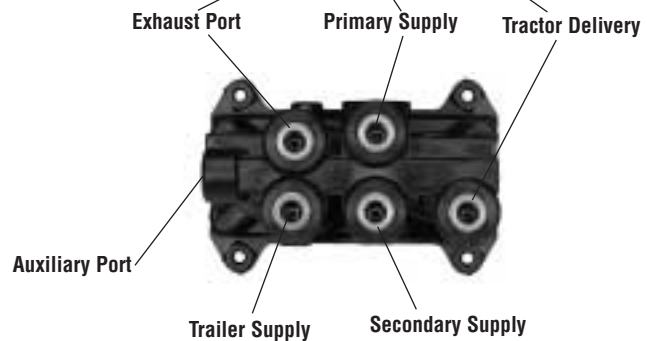
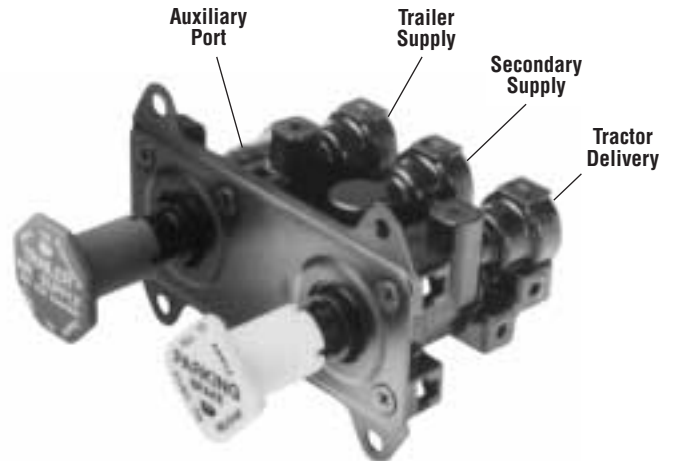
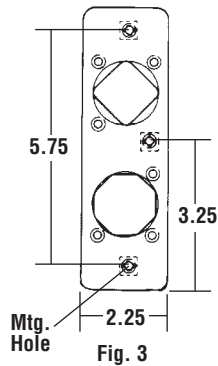
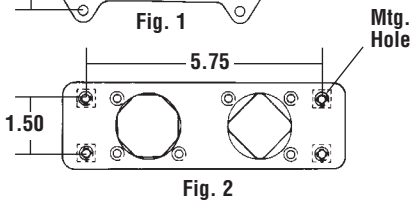
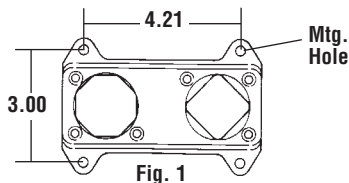


MV-3 Control Module

- Maintenance Kit 107216
- Shuttle Kit 107217

VMRS No. 13-010-112

Service Pc. No.	Replaces	Mtg. Plate Figure	Mtg. Hole Dia./Thd.	Aux. Port Thd. (NPT)	Comments
065523	–	1	0.27	–	Push-in Fittings-3/8"
800036	–	1	1/4-20	–	Push-in Fittings-3/8"
800516	065157	1	0.27	–	
800517	065159	2	M6 x 1-6H	–	
	065379				
800518	065160	1	0.27	1/8-27	
800519	065186	1	1/4-20	–	
800521	065192	3	1/4-20	–	
800522	–	1	M6 x 1-6H	1/8-27	
800523	065248	1	#10-24	–	
800573	065187	1	1/4-20	–	
800584	065208	1	M6 x 1-6H	1/8-27	

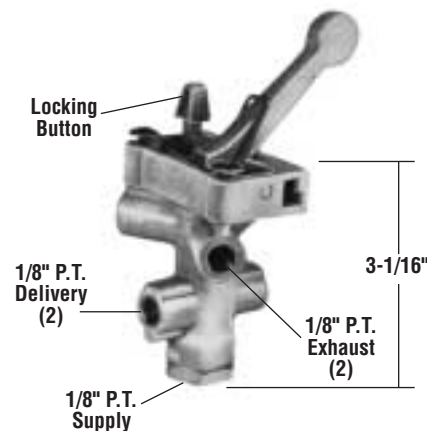


TC-4 Modulating Control Valve (With Lever Latch)

- Available Remanufactured Exchange
- Dial Plate Not Furnished with Exchange Valve
- Refer to Master Parts Catalog for Dial Plate Pc. No.

VMRS 13-010-104

Reman. Exch. Pc. No.	Service Pc. No.	Locking Button Position	Delivery Pressure P.S.I.
282368X	282368	LEFT	86-100

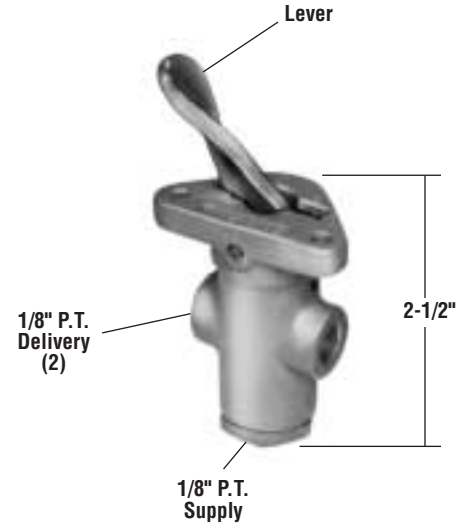


TW-1 Control Valve

- Available Remanufactured Exchange
- Dial Plate Not Furnished with Exchange Valve
- Refer to Master Parts Catalog for Dial Plate Pc. No.

VMRS 13-016-016

Reman. Exch. Pc. No.	Service Pc. No.	Lever Mat'l and Finish
228729X	228729	Zinc-Chrome
229635X	229635	Steel-Chrome
277516X	277516	Nylon-Black



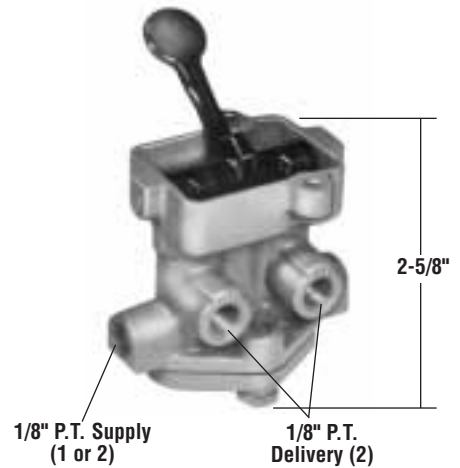
TW-2 & TH-3 Control Valve

(TW-2 Two Lever Positions)

(TH-3 Three Lever Positions)

- Available Remanufactured Exchange
- Maintenance Kit 282391
- Dial Plate Not Furnished with Exchange Valve
- Refer to Master Parts Catalog for Dial Plate Pc. No.

Basic TW-2 Pc. No.	Basic TH-3 Pc. No.	Lever
280905	280904	Centering
	281560	Positioning



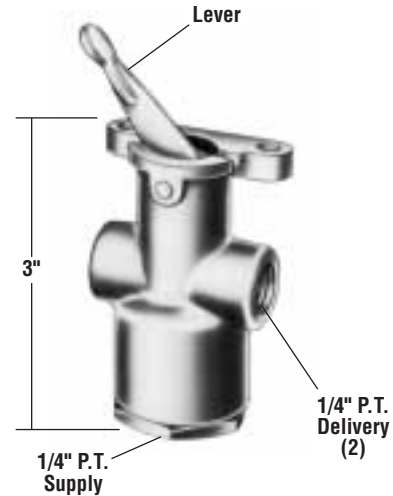
TW-3 Control Valve

- Available Remanufactured Exchange
- Dial Plate Not Furnished with Exchange Valve
- Refer to Master Parts Catalog for Dial Plate Pc. No.

VMRS 13-010-016

Reman. Exch. Pc. No.	Service Pc. No.	Lever Mat'l.
*225892X	*225892	ZINC
*228762X	*228762	STEEL
283040X	283040	STEEL

* Vacuum Control

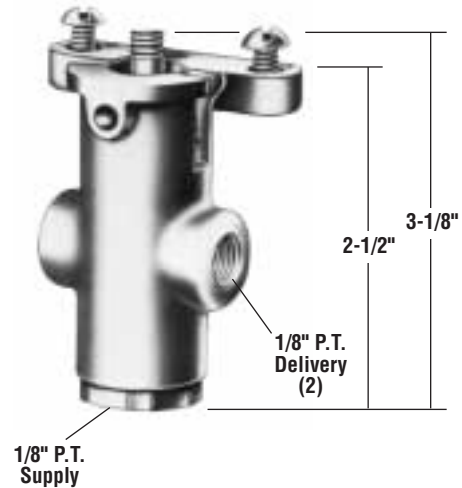


TW-4 Control Valve

- Available Remanufactured Exchange
- Refer to Master Parts Catalog for Button Pc. No.

VMRS 32-004-007

Basic TW-4 Pc. No.
276635

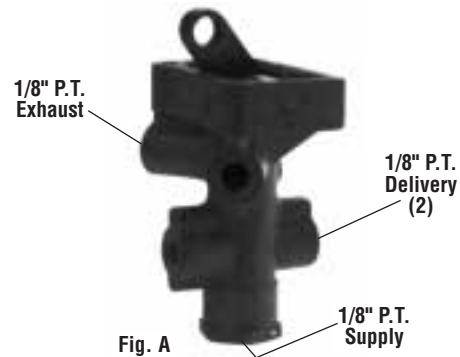
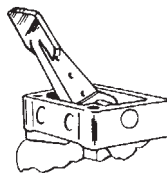


TW-11 Control Valve

- Used in conjunction with the HR-1 Hydraulic Relay Valve.

TW-11 Pc. No.	Configuration
065356	Fig. B
065316	Fig. A

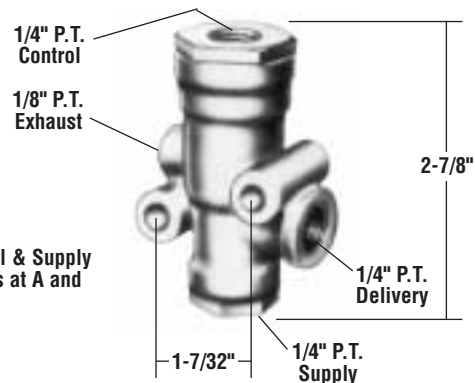
Fig. B



SV-1 Synchronizing Valve

SV-1 Pc. No.	A PSI	B PSI
278825	42	28
282472	21	11
283700	62	50

With Common Control & Supply Pressure, Inlet Opens at A and Exhaust Opens at B



Bendix Truck Products

Your One Stop Shopping Place!



Featuring:

Remanufactured Compressors:
Cummins
Midland
Clayton DeWander

Remanufactured Valves
Midland
Sealco
Berg
Wagner
Neway
Cummins
Kelsey Hayes

Service New
Rockwell/WABCO Air Dryer
Cartridges
Compressor Kits
Valve Kits
Fan Clutch Kits

Remanufactured
Horton Fan Clutches

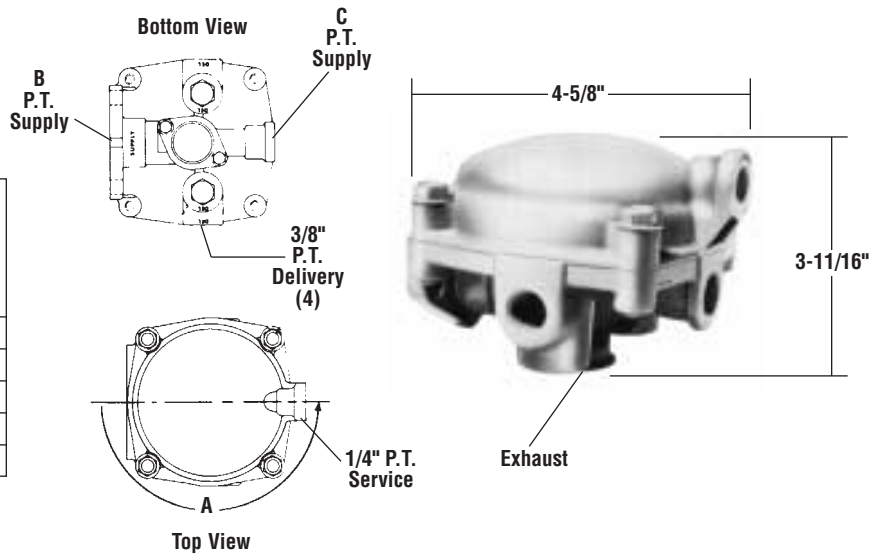
R-6 Relay Valve

- Available Remanufactured Exchange
- Maintenance Kit 280856

VMRS 13-010-009

Reman. Exch. Pc. No.	R-6 Basic Relay Valve Pc. No.	A Degrees Service Port Angle	B P.T.	C P.T.
279180X	279180	180	—	3/8"
279952X	279952	180	3/4"	3/8"
280375X	280375	90	—	1/2"
—	*280651	180	3/4"	3/8"
283940X	283940	270	3/8"	3/8"

*Pipe Plugs & Gasket Attached
Crack Pressure 2 P.S.I.



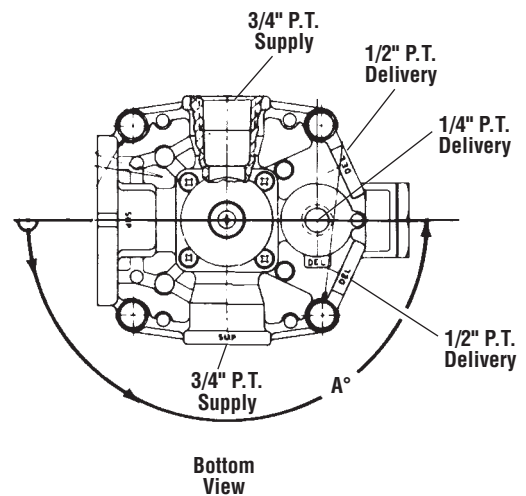
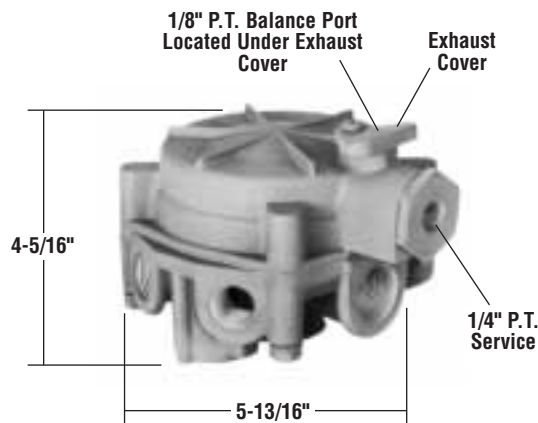
R-8 Relay Valve

- Available Remanufactured Exchange
- Maintenance Kit 287370

VMRS 13-010-009

Reman. Exch. Pc. No.	Service Pc. No.	A Service Port Location (Degree)
286370X	286370	90
*286371X	*286371	90
*287260X	*287260	180
288369X	288369	180

*No Exhaust Cover

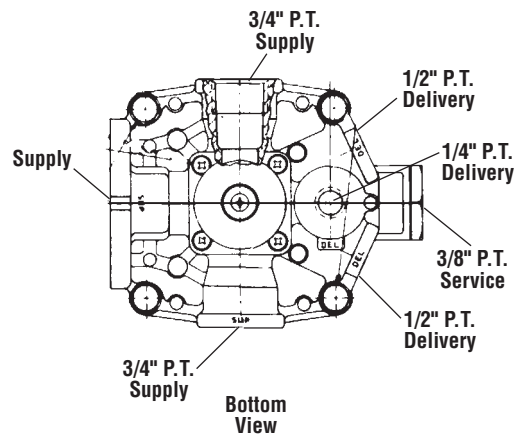


R-8P Relay Valve

- Available Remanufactured Exchange
- Maintenance Kit 103799

VMRS 13-010-009

Reman. Exch. Pc. No.	Service Pc. No.	Comments
287114X	287114	—
288781X	288781	Waterproof



R-12 Relay Valves

- Available Remanufactured Exchange
- All Universal R-12 and R-14 Relay Valves Include Installation Instructions and a Universal Mounting Bracket as indicated.

VMRS-010-009

Vertical

Reman. Exch. Pc. No.	Service Pc. No.	A Crack Pressure (P.S.I.)	Delivery Port Size (P.T.)	Maint. Kit	Mounting Bracket
5003365X	065104	4	3/8	102802	296010
-	065181	5.5	1/2	102802	296010
102626X	102626	4	1/2	102802	296010
103912X	103912	7.5	1/2	102802	296010
104561X	104561	5.5	3/8	102802	296010
-	*800365	4	3/8	102802	296010

Horizontal

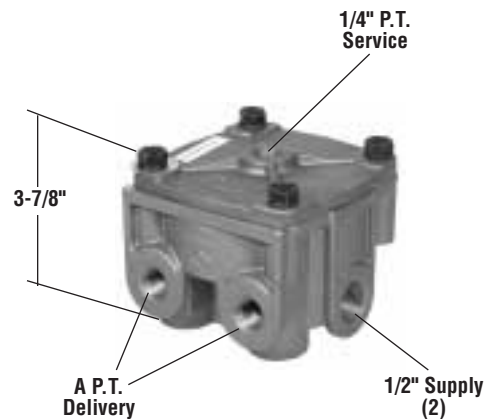
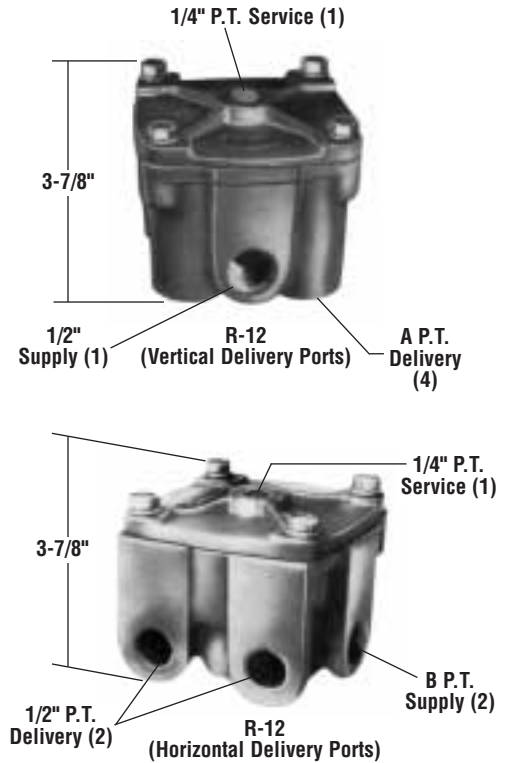
Reman. Exch. Pc. No.	Service Pc. No.	A Crack Pressure (P.S.I.)	Supply Port Size (P.T.)	Maint. Kit	Mounting Bracket
-	065125	5.5	1/2	102802	296010
-	065309	4	1/2	102802	296010
-	065546	4	1/2	109523	296010
103009X	103009	4	3/4	102802	296010
104165X	104165	7.5	3/4	102802	296010
-	800238	4	3/4	102802	N/A
-	800305	4	1/2	5002831	296010
-	*800366	4	1/2	102802	296010

*Self draining piston

R-12 Vert. (2) & Horizontal

Service Replacement Pc. No.	Crack Pressure (P.S.I.)	A Delivery Port Size (P.T.)	Maint. Kit	Mounting Bracket
065206	5.5	3/8	102802	296010
065303	4	3/8	102802	296010
800095	4	3/8	102802	102846**
800441	5.5	3/8	102802	102846**
800483	5.5	1/2	102802	N/A
800484	5.5	1/2	102802	296010
800485	4	1/2	102802	N/A
800486	4	1/2	102802	296010
800508	5.5	1/2	102802	N/A

**Mounting bracket 102846 includes two 5/16" mounting studs.

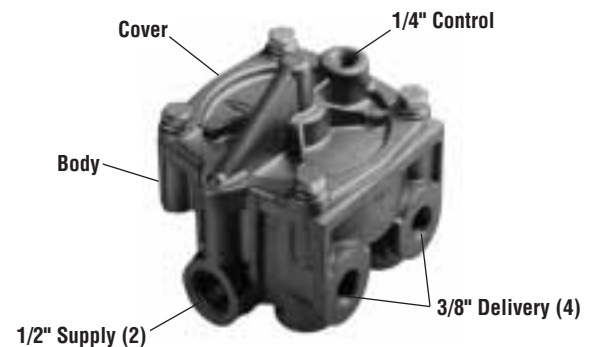


R-12P Pilot Relay Valve

- Available Remanufactured Exchange
- Universal Mounting Bracket 296010 included
- Field Maintenance Kit 109265

VMRS 13-010-009

R-12P Service Pc. No.	R-12P Reman. Pc. No.
065476	109264



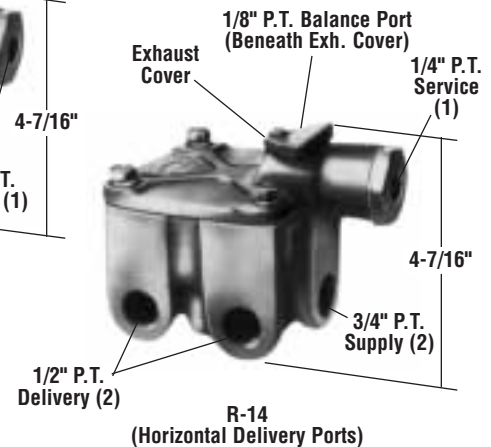
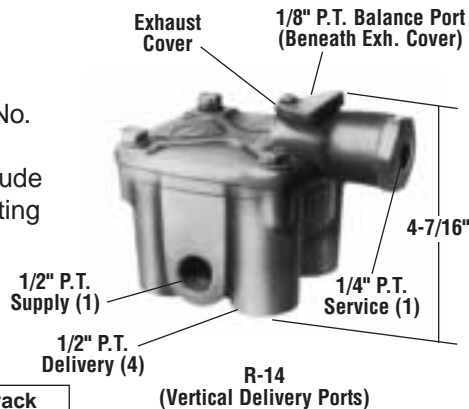
R-14 Relay Valves

- Available Remanufactured Exchange
- Field Maintenance Kit for R-12 & R-14 is Pc. No. 102802
- All Universal R-12 and R-14 Relay Valves Include Installation Instructions and a Universal Mounting Bracket Pc. No. 296010.

VMRS-13-010-009

R-14 Horizontal Pc. No.	Crack Press. PSI
103010	4
103294	5.5
103835	7.5

R-14 Vertical Pc. No.	Crack Press. PSI
103028	4
103833	7.5
106313	5.5

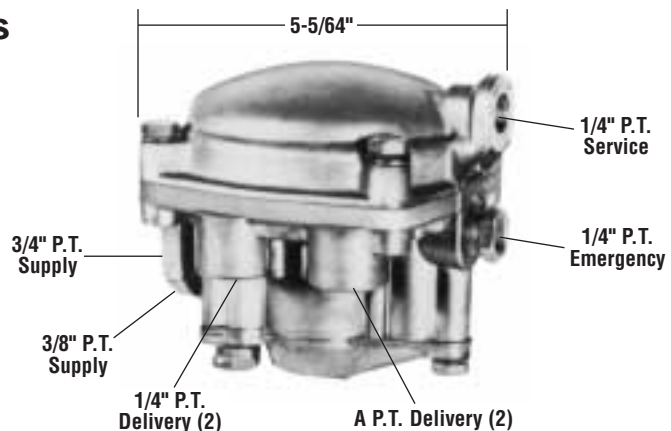


RE-6 & RE-6NC Relay Emergency Valves

- Available Remanufactured Exchange
- Maintenance Kits:
282812 Complete Valve
282813 Insert Only

VMRS 13-010-037

Reman. Exch. Pc. No.	Service Pc. No.	Model	A P.T. Delivery
281865X	281865	RE-6	3/8"
281860X	281860	RE-6	1/4"
-	065451	RE-6NC	1/4"



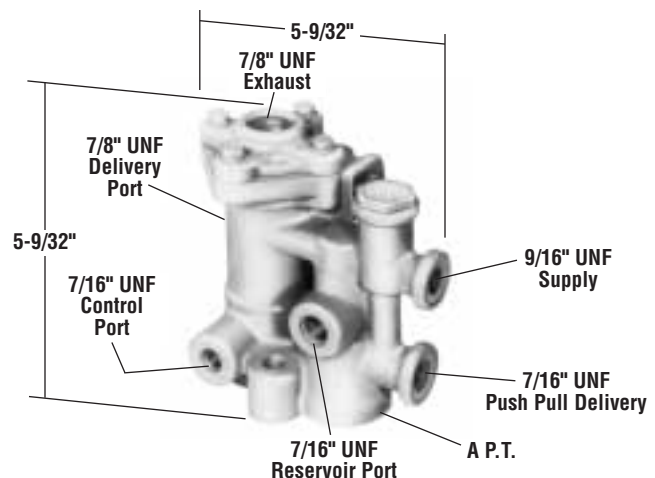
The RE-6NC must be used in conjunction with a PR-3 reservoir control valve.

HR-1 Hydraulic Relay Valve

VMRS 13-010-015

HR-1 Service Pc. No.	Vehicles
065147	Ford, Navistar

Used with PP-1 Push Pull Control 065077 and Button/Pin Kit 102087



ST-3 Safety Valve

VMRS 13-010-073



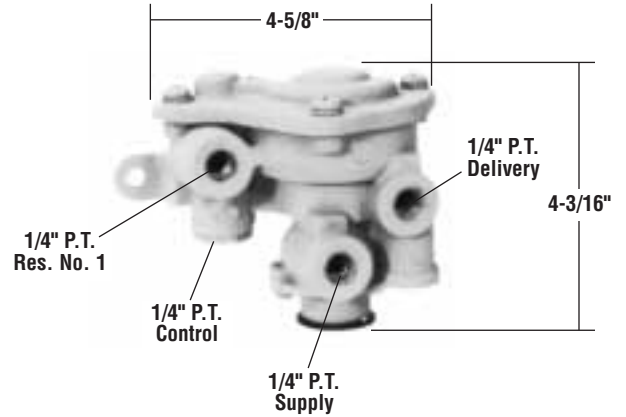
ST-3 Pc. No.	Pressure Setting
284142	150 P.S.I.

SR-1 Spring Brake Valve

- Available Remanufactured Exchange
- Maintenance Kit: 108123

VMRS 13-010-048

Reman. Exch. Pc. No.	Service Pc. No.	Cust. Ident.	Reservoir Trip Press.
286364X	286364	NONE	55 PSI
288063X	288063	IHC-459271-C92	30 PSI



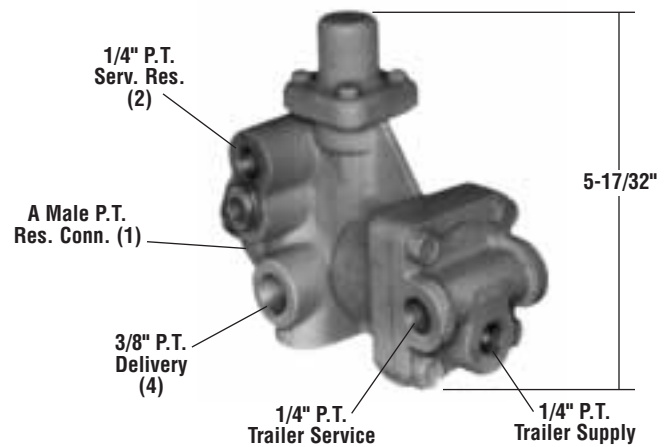
SR-2 Trailer Spring Brake Valve

- Available Remanufactured Exchange
- Maintenance Kit 287691

VMRS 13-010-048

Reman. Exch. Pc. No.	Service Pc. No.	A P.T.
*287376X	*287376	3/4"
102761X	102761	3/4"
103061X	103061	1/2"

*Does not have trailer service port for anti-compound

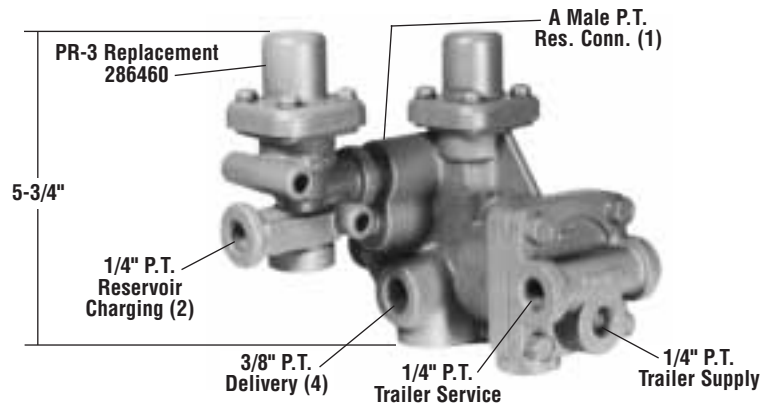


SR-4 Trailer Spring Brake Valve

- Available Remanufactured Exchange
- Maintenance Kit 102048

VMRS 13-010-048

Reman. Exch. Pc. No.	Service Pc. No.	A P.T.
101112X	101112	3/4"
101622X	101622	1/2"

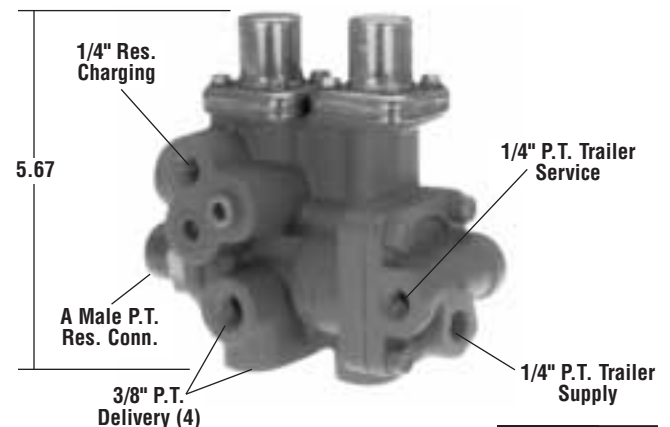


SR-4 New Configuration Trailer Spring Brake Valve

- Maintenance Kit 108259

VMRS 13-010-111

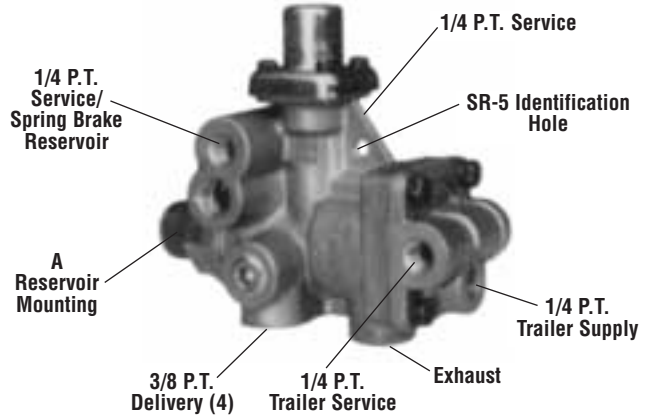
New SR-4 Basic Pc. No.	SR-5 Basic Pc. No.	A
107539	065437	3/4" NPT
108076	065439	1/2" NPT



SR-5 Trailer Spring Brake Valve

- Maintenance Kit 109015
- VMRS 13-010-048

Reman. Exch. Pc. No.	Service Pc. No.	A Male P.T.	Comments
109615X	065437	3/4"	With Anti-Compounding
109616X	065438	3/4"	-
109617X	065439	1/2"	With Anti-Compounding
109618X	065440	1/2"	-

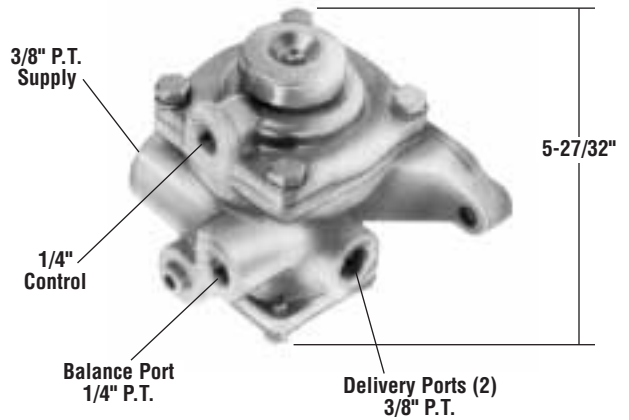


R-7 Modulating Valve

- Available Remanufactured Exchange
- Maintenance Kit 283861

VMRS 13-010-009

Reman. Exch. Pc. No.	Service Pc. No.	Spring Brake Release Pressure P.S.I.
103081X	103081	95

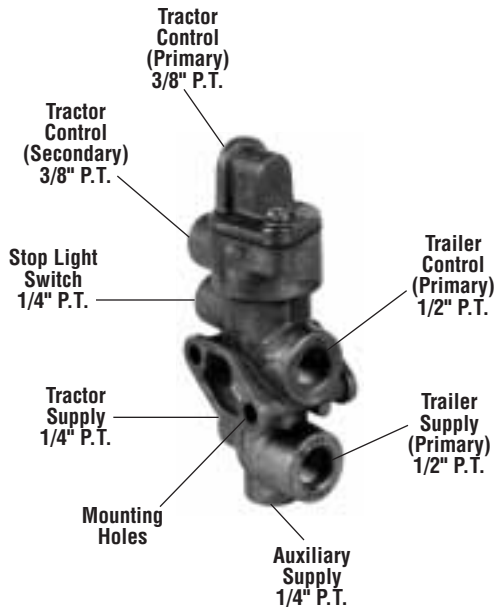


TP-3DC Tractor Protection Valve

- Maintenance Kit 5000073

VMRS 13-010-016

Service Pc. No.
065706

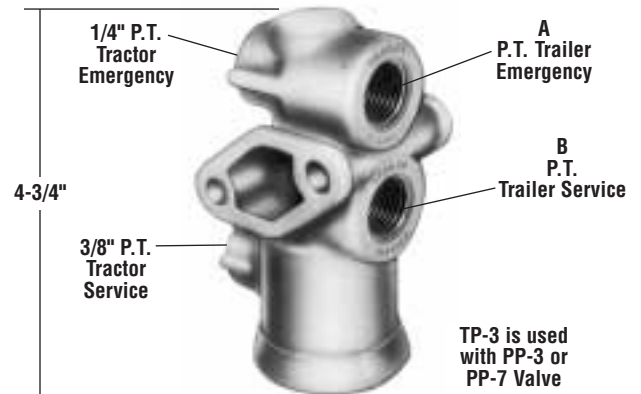


TP-3 Tractor Protection Valve

- Available Remanufactured Exchange
- Maintenance Kit 280858

VMRS 13-010-016

Reman. Exch. Pc. No.	Service Pc. No.	A P.T.	B P.T.
279000X	279000	1/2"	1/2"
279692X	279692	3/8"	3/8"



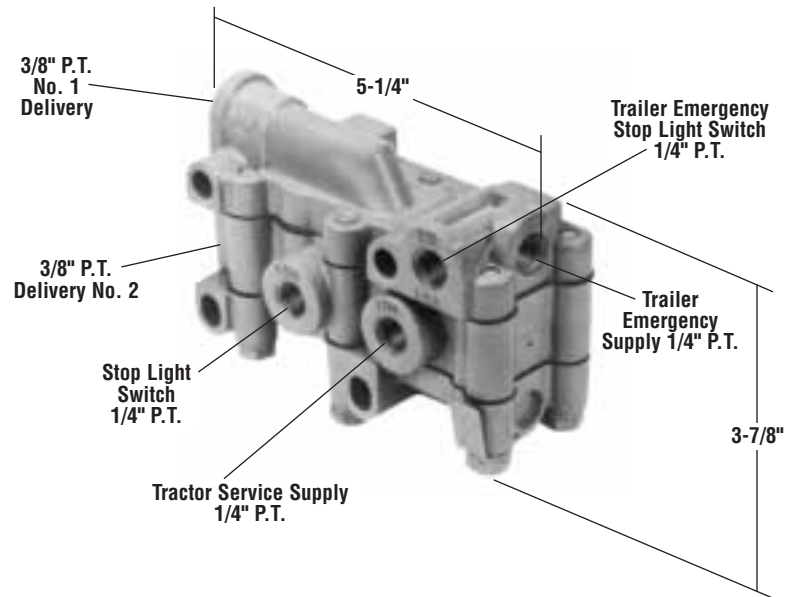
TP-4 Tractor Protection Valve

- Formerly VM-1 Control Valve Manifold
- Available Remanufactured Exchange
 - Maintenance Kit 283863

VMRS 13-010-114

Reman. Exch. Pc. No.	Service Pc. No.
288301X	288301

3 Sealing O-Rings Pc. No. 212268 Included with Valve



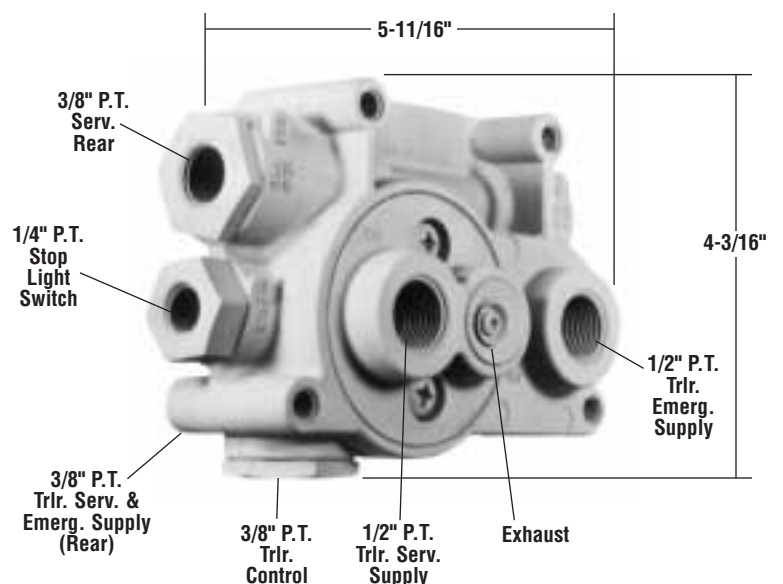
TP-5 Tractor Protection Valve

- Formerly VM-2 Control Valve Manifold
- Available Remanufactured Exchange
 - Maintenance Kit 289061

VMRS 13-010-114

Reman. Exch. Pc. No.	Service Pc. No.
288605X	288605
*289253X	*289253

*Use 289253 when a Trailer Control (Hand Valve) such as the TC-2 is not connected to the Trailer Control Port of the TP-5.



Valve Changeover

Model/Pc. No.	Bendix Replacement	Model/Pc. No.	Bendix Replacement	Model/Pc. No.	Bendix Replacement
Bendix		Berg		Midland	
R-1	103009	12340	103009	A104001	101112, 101622
R-1C	103009	12341	103009	A104002	101112, 101622
R-5	102626, 103009	12342	102626, 103009	A104003	101112, 101622
R-6	102626, 103009	12343	102626, 103009	A104010	101112, 101622
R-8	103010	12344	102626, 103009	KN20541	101112, 101622
R-12	102626	12345	102626, 103009	KN28060	103009
R-12H	103009	12346	103009	KN28061	103009
R-14	103028	12352	101112 & 102626	KN28071	103010
R-14H	103010	12360	101112, 101622	KN28132	103009
RE-1C	229434	A86473	102626	KN28140	103010
RE-4	229434	A86477	102626		
RE-6	281865	Kelsey Hayes		Sealco	
SR-1	286364	5468	103009	9125	102626, 103009
SR-2	287376	5470	102626	A1100	102626
SR-4	101112			Wagner	
				A78882	102626, 103009
				A78887	102626, 103009
				A88802	101112, 101622
				A88812	101112, 101622
				A98730	101112, 101622
				A98731	101112, 101622
				A98732	101112, 101622

Fast relief now available.
Bendix.com



Get the troubleshooting and servicing information you need right when you need it. It's quick. It's easy. It's what you need. It's all at www.Bendix.com.

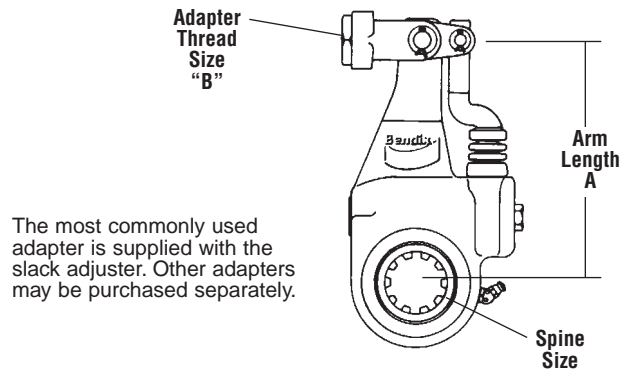
ASA-5 Automatic Slack Adjuster

VMRS 013-001-030 (FRONT)
013-002-028 (REAR)

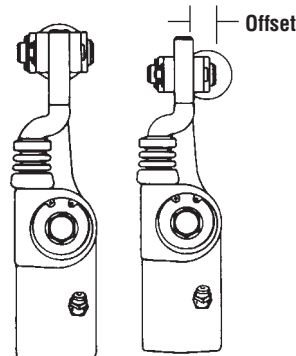
ASA-5 Maintenance Kits

Kit Pc. No.	Description
107162	1/2" Adapter Kit - Quick Connect
107161	5/8" Adapter Kit - Quick Connect
*107156	Adjuster Kit
107163	5" Link Kit
107164	5 1/2" Link Kit
107165	6" Link Kit
107157	Quick Connect Yoke Kit (Straight)
107159	Quick Connect Yoke Kit (Offset)
107158	Easy-On Yoke Kit (Straight)
107160	Easy-On Yoke Kit (Offset)

*Adjuster Kit 107156 is common to all ASA-5 Pc. Nos.
Refer to Service Parts Catalog for Kit Contents



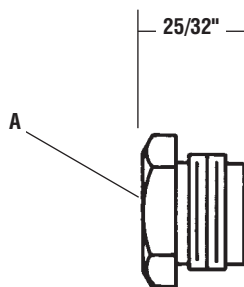
ASA-5 Exterior



Straight

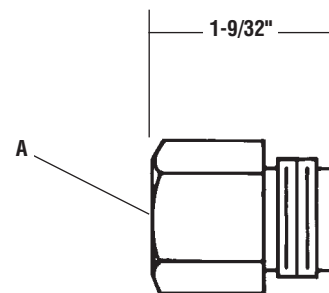
All offset slack adjusters are provided as shown. If the opposite offset is needed remove the yoke and rotate 180°.

Standard Adapter



Yoke Adapter Pc. No.	A Push Rod Thread Size
291452	5/8"-18 UNF
292756	1/2"-20 UNF

Extended Adapter



Yoke Adapter Pc. No.	A Push Rod Thread Size
297700	5/8"-18 UNF
297701	1/2"-20 UNF

REMAN. EXCH. PC. NO.	ASA-5 SERVICE ASSY. PC. NO.	ARM LENGTH A	ADAPTER THREAD SIZE B	YOKE OFFSET	SERVICE PARTS/KITS			COMMENTS
					ADAPTER	YOKE	LINK	
1 1/4"-10C SPLINE								
065550X	–	5"	1/2-20	5/8"	292756	107160	107163	
065551X	065163	5 1/2"	5/8-18	5/8"	291452	107160	107164	
	065244	5 1/2"	1/2-20	5/8"	292756	107160	107164	
065557X	065164	5 1/2"	1/2-20	Straight	292756	107158	107164	
1 1/4"-24 SPLINE								
065552X	065166	5"	1/2-20	5/8"	292756	107160	107163	
065558X	065167	5 1/2"	5/8-18	Straight	291452	107158	107164	
	065274	5 1/2"	1/2-20	Straight	292756	107158	107164	
065553X	065306	5 1/2"	1/2-20	5/8"	292756	107160	107164	Worm Gear Incorporates a lubrication passage
065572X	065335	5 1/2"	1/2-20	Straight	292756	107158	107164	Worm Gear Incorporates a lubrication passage
	065403	5 1/2"	5/8-18	Straight	291452	107158	107164	Worm Gear Incorporates a lubrication passage
1 1/2"-10C SPLINE								
065559X	065168	5"	1/2-20	Straight	292756	107158	107163	
065554X	065169	5 1/2"	1/2-20	5/8"	292756	107160	107164	
065560X	065170	5 1/2"	5/8-18	Straight	291452	107158	107164	
065561X	065172	6"	5/8-18	Straight	291452	107158	107165	
065573X	065344	6"	5/8-18	Straight	291452	107158	107165	Worm Gear Incorporates a lubrication passage
065578X	065488	5 1/2"	5/8-18	5/8"	291452	107160	107164	Worm Gear Incorporates a lubrication passage
065571X	065508	5"	5/8-18	Straight	291452	107158	107163	Worm Gear Incorporates a lubrication passage
065579X	065700	5 1/2"	5/8-18	Straight	291452	107158	107164	Worm Gear Incorporates a lubrication passage
1 1/2"-28 SPLINE								
065562X	065173	5"	1/2-20	Straight	292756	107158	107163	
065563X	065174	5 1/2"	5/8-18	Straight	291452	107158	107164	
065575X	065175	6"	5/8-18	Straight	291452	107158	107165	Worm Gear Incorporates a lubrication passage
065564X	065176	6"	5/8-18	Straight	291452	107158	107165	
065565X	065195	5 1/2"	5/8-18	Straight	291452	107158	107164	Customer Ident. Body
065574X	065221	5 1/2"	1/2-20	Straight	292756	107158	107164	Worm Gear Incorporates a lubrication passage
065555X	065245	5 1/2"	1/2-20	5/8"	292756	107160	107164	Worm Gear Incorporates a lubrication passage
065574X	065247	5 1/2"	5/8-8	Straight	291452	107158	107164	Worm Gear Incorporates a lubrication passage
065556X	065276	6"	1/2-20	5/8"	292756	107160	107165	Worm Gear Incorporates a lubrication passage
1 5/8"-37 SPLINE								
065567X	065177	6"	5/8-18	Straight	291452	107158	107165	
065568X	065178	5 1/2"	5/8-18	Straight	291452	107158	107164	
065576X	065179	6"	5/8-18	Straight	291452	107158	107165	Worm Gear Incorporates a lubrication passage
065577X	065182	5 1/2"	5/8-18	Straight	291452	107158	107164	Worm Gear Incorporates a lubrication passage
065570X	–	6"	5/8-18	Straight	291452	107158	107165	Customer Ident. Body

The easy-on-yoke assemblies are standard on the ASA-5 service basic slack adjusters, however early production assemblies may contain the quick connect yoke.

If the quick connect yoke is required it must be purchased separately and installed by the customer.

All ASA-5 slack adjusters are supplied with a 45° lube fitting unless otherwise noted.

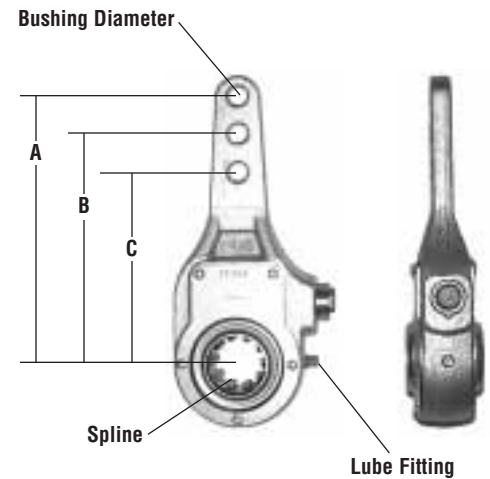
Straight Arm

VMRS 13-001-030 (FRONT)
13-002-028 (REAR)

Selecting A Slack Adjuster

1. Determine if straight or offset arm. If offset determine if RH or LH is needed.
2. Identify spline size (diameter and number of teeth).
3. Select model needed.
4. Determine the arm hole used (if slack contains more than one).
5. Identify bushing diameter.

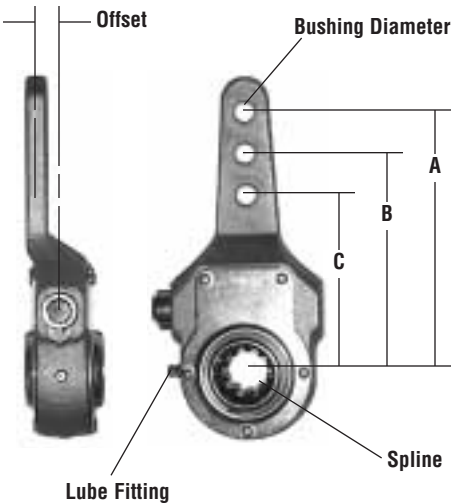
Piece No.	SAE Torque Rating-lbs	Spline	Teeth	Arm Length (In.)			Bushings Dia.	Lube Fitting	Fitting Direction
				A	B	C			
278302 278305	26,000 26,000	1 1/4"	10	5.5 7.0	4.5 6.0	— 5.0	0.5	Straight	Straight
278323 278326 278008 278010 278045 279634	26,000 26,000 30,000 30,000 30,000 30,000	1 1/2"	10	7.0 6.5 6.5 6.0 7.0 7.75	6.0 5.5 5.5 5.0 6.0 6.75	5.0 4.5 — — 5.0 —	0.5	Straight	Straight
101827 277959 102110 278016 278017 278035	26,000 26,000 30,000 30,000 30,000 30,000	1 1/2"	10	6.0 6.5 6.5 6.0 7.5	— 5.5 5.5 5.0 5.5	— — — — —	0.625	90 Deg. Straight 90 Deg. Straight Straight Straight	Left Straight Down Straight Straight Straight
288282 286965 288753 287899	26,000 26,000 26,000 30,000	1 1/2"	28	7.0 6.0 6.5 6.5	6.0 5.0 5.5 5.5	5.0 — — —	0.5	Straight Straight Straight Straight	Straight Straight Straight Straight
101133 101134 101289 101290 101214 101215 101216	26,000 26,000 26,000 26,000 30,000 30,000 30,000	1 1/2"	28	6.0 6.5 6.5 6.0 6.5 6.0 7.0	5.0 5.5 5.5 5.0 5.5 5.0 —	— — — — — — —	0.625	Straight Straight 90 Deg. 90 Deg. 90 Deg. 90 Deg. Straight Straight Straight	Straight Straight Right Right Straight Straight Straight
283411	26,000	1 5/8"	37	6.0	—	—	0.5	Straight	Straight



Offset Arm

Left Hand (LH) Shown – Right Hand (RH) Opposite

Piece No.	SAE Torque Rating-lbs	Spline	Teeth	Arm Length (In.)			Bushings Dia.	Lube Fitting	Offset	Handed
				A	B	C				
278288 278289 278294 278295	26,000	1 1/4"	10	6.0 6.0 5.5 5.5	5.0 5.0 4.5 4.5	4.0 4.0 — —	0.5	Straight	0.625	RH LH RH LH
278252 278253 279300 279301 279946 279947 280424 280425 282560 282561	26,000	1 1/2"	10	5.5 5.5 — 5.25 5.25 7.0 7.0 6.0 6.0 6.5 6.5	4.5 4.5 — — — 6.0 6.0 5.0 5.0 5.5 5.5	— — — — — — 4.0 4.0 — — — —	0.5	Straight	0.625	RH LH RH LH RH LH RH LH RH LH
279309 279350 279351 288539 288540 288541 288542	20,000	1 1/2"	10	5.75 7.0 7.0 6.5 6.5 6.0 6.0	— — — 5.5 5.5 5.0 5.0	— — — — — — —	0.5	Straight	1.5	LH RH LH RH LH RH LH
101413 101414 287896 287897	20,000	1 1/2"	28	5.5 5.5 6.5 6.5	— — 5.5 5.5	— — — —	0.5	Straight	1.5	LH RH RH LH

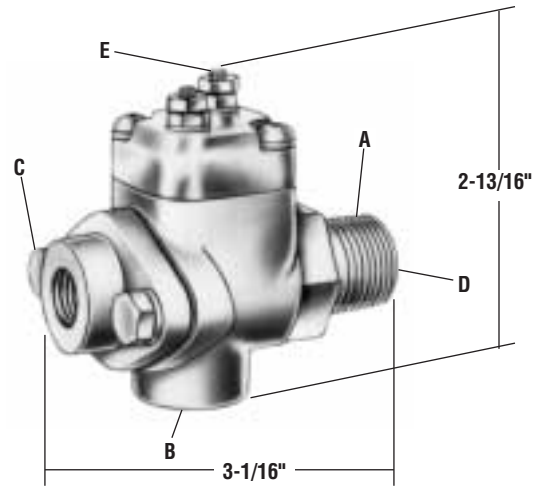


DS-1 Combined Stop Light Switch Double Check Valve

- Available Remanufactured Exchange
- Field Maintenance Kit 276142

VMRS 13-010-038

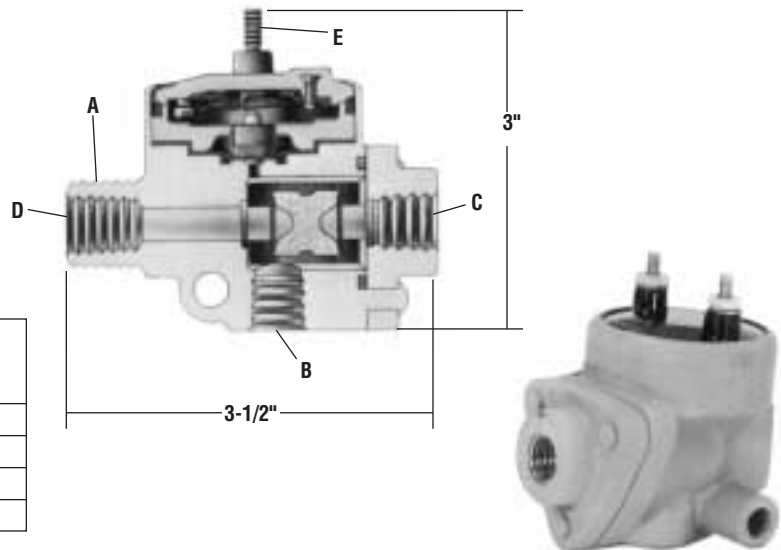
DS-1 Pc. No.	A Male P.T.	B Female P.T.	C Female P.T.	D Female P.T.	E Terminal Thread
228050	1/2"	1/4"	1/4"	-	8-32
228165	3/8"	1/4"	1/4"	-	8-32
228520	1/2"	3/8"	1/4"	-	8-32
229493	1/2"	1/4"	1/4"	1/4"	8-32



DS-2 Combined Stop Light Switch Double Check Valve

VMRS 13-010-038

DS-2 Pc. No.	A Male P.T.	B Female P.T.	C Female P.T.	D Female P.T.	E Terminal Thread
104563	3/8"	3/8"	1/4"	-	8-32
286452	3/8"	3/8"	3/8"	-	8-32
286453	3/8"	3/8"	3/8"	-	10-32
286704	-	3/8"	3/8"	3/8"	10-32

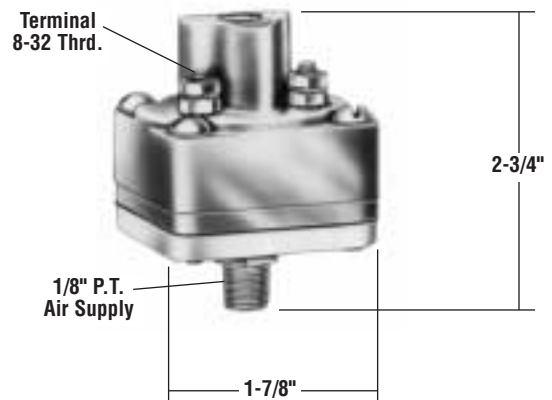


TE-1 Trailer Emergency Stop Light Switch

VMRS 34-002-008

TE-1 Pc. No.
228477

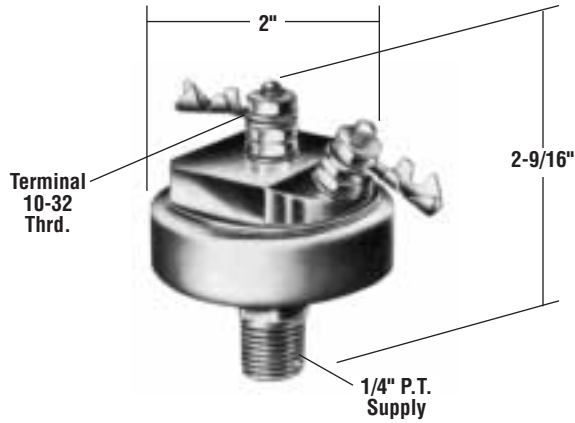
Circuit between terminals
to be closed from 60 PSI
to 0 PSI



SL-3 Stop Light Switch

VMRS 34-002-008

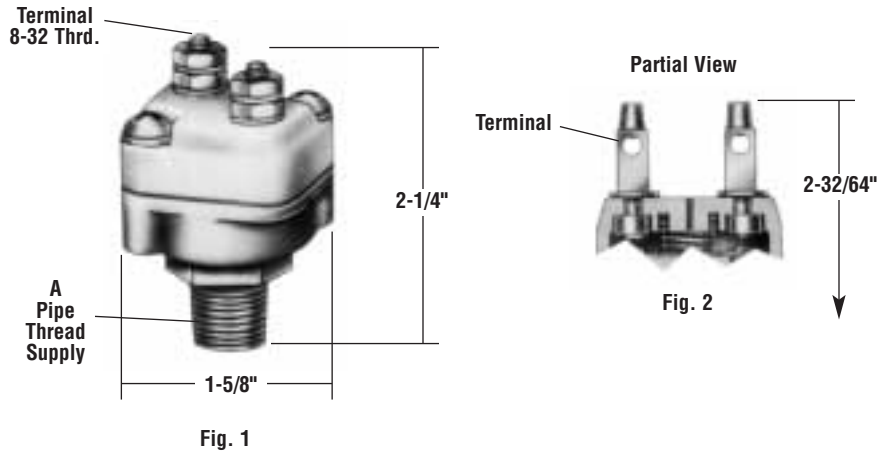
SL-3
Pc. No.
226262



SL-4 Stop Light Switch

VMRS 34-002-008

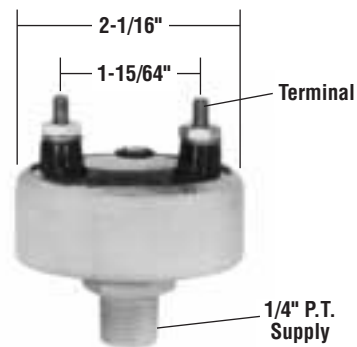
SL-3 Pc. No.	A Pipe Thread	Fig. No.
228600	1/4"	1
228687	3/8"	1
228688	1/4"	2



SL-5 Stop Light Switch

VMRS 34-002-008

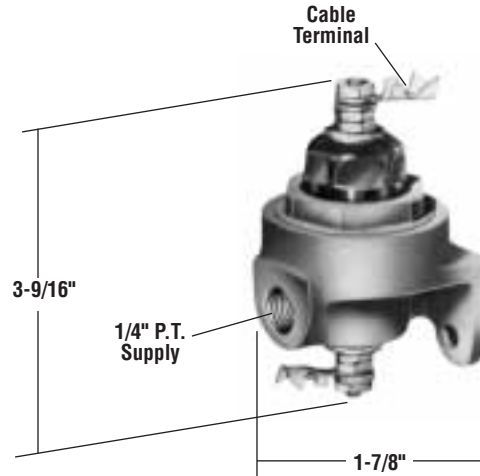
SL-5 Pc. No.	Terminal Thread Size
286392	8-32
286404	10-32



LP-2 Low Pressure Indicator

VMRS 03-001-037

LP-2 Pc. No.	Cut-Out Pressure P.S.I.	Remarks
223578	60 + 5 - 0	
223870	60 + 5 - 0	Without Cable Terminal
288408	60 ± 6	Weatherproof



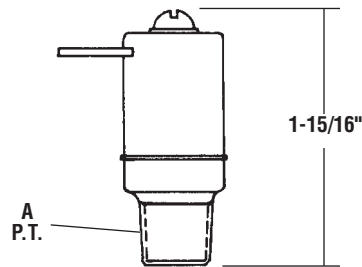
LP-3 Low Pressure Indicator

VMRS 03-001-037

Single Terminal

LP-3 Pc. No.	Cut-Out Pressure P.S.I.	A Pipe Thread
*104246	66 ± 6	1/4"
279416	60 ± 6	1/4"
279472	75 ± 6	1/4"
280530	70 ± 6	1/4"
289397	75 ± 6	1/8"

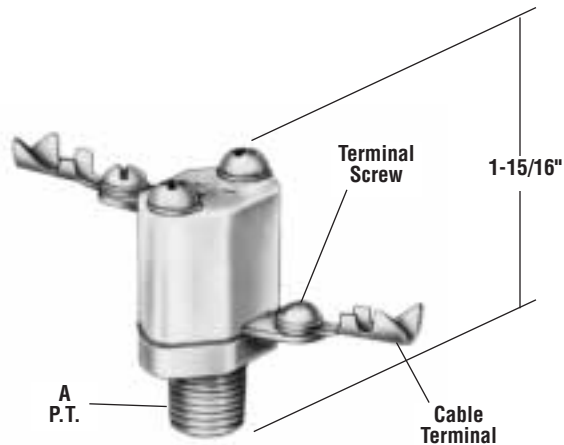
*Push on terminal



Double Terminal

LP-3 Pc. No.	Cut-Out Pressure P.S.I.	A Pipe Thread
228750	60 ± 6	1/4"
**275083	-	1/4"
276599	30 ± 3	1/4"
277155	50 ± 5	1/4"
*280743	60 ± 6	1/4"
284793	80 ± 6	1/4"
284833	70 ± 6	1/4"

**Pc. No. 275083 has a cut-in pressure of 75 ± 6 PSI



Air Horn Kits

- Kits Include Horn Valve, Tubing & Fittings



Air Horn Kits	Application Description
207945	Includes Hand Operated Horn Valve 228013
207946	Includes Foot Operated Horn Valve 228672

The Air Brake Experts Product Training

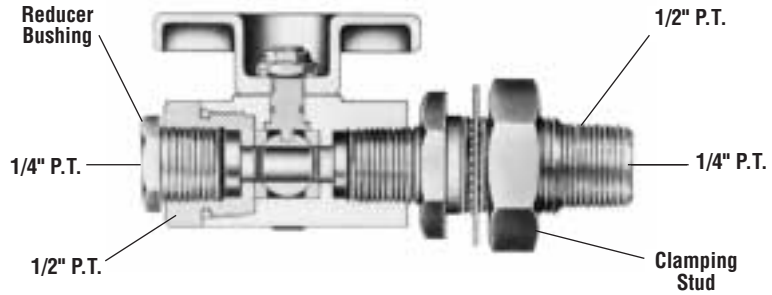


- 25-4 Day Air Brake Training Courses in four locations across the U.S. each year.
- Regional Training on site with 6 mobile training units stationed across the U.S. & Canada
- Audio Visual Training programs available
- Service literature including manuals, wall charts, and handbooks

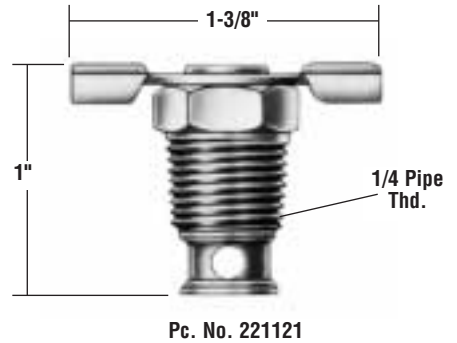
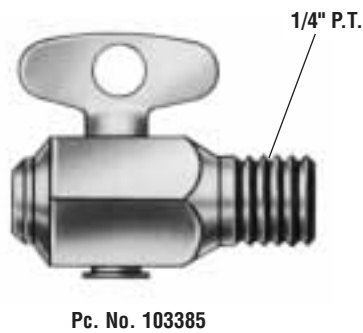
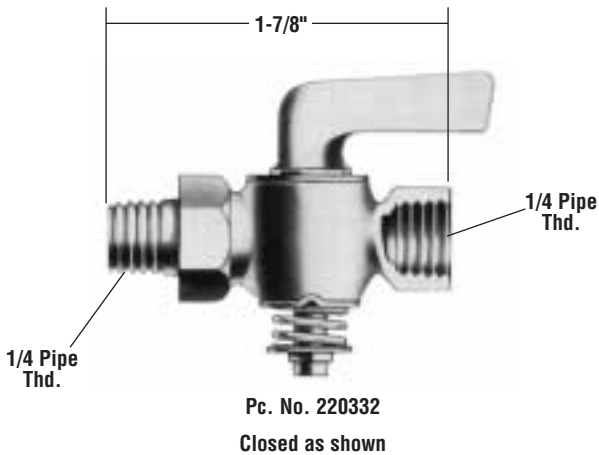
C-5 Cut-Out Cocks

- Field Maintenance Kit 285938

C-5 Pc. No.	Clamping Stud Pc. No.	Reducer Bushing Pc. No.
285172	NONE	NONE
285697	205730	212741



Drain Cocks

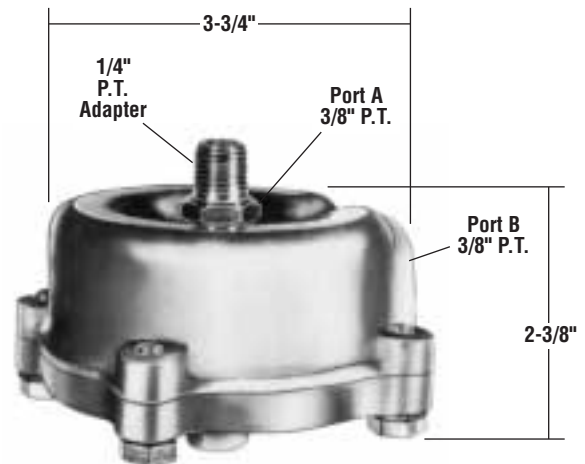


DV-2 Automatic Reservoir Drain Valve

- Available Remanufactured Exchange
- Field Maintenance Kit 282134

VMRS 13-010-007

Reman. Exch. Pc. No.	Service Pc. No.	Port A		Port B	
		Adapter Pc. No.	Pipe Plug Pc. No.	Adapter Pc. No.	Pipe Plug Pc. No.
281923X	281923	293248	—	—	233057
281924X	281924	—	233057	293248	—
*284412X	*284412	293248	—	—	233057
*284795X	*284795	—	233057	293248	—



*With Heater

Copper Tubing and Tubing Clamps

VMRS 13-010-053

Tubing Outside Diameter	Tubing Length	Carton of Coiled Copper Tubing Pc. No.
1/4"	25 Ft.	279567
1/4"	50 Ft.	279568
5/16"	25 Ft.	279569
5/16"	50 Ft.	279570
3/8"	25 Ft.	279571
3/8"	50 Ft.	279572
1/2"	25 Ft.	279573
1/2"	50 Ft.	279574
5/8"	25 Ft.	279575
3/4"	25 Ft.	279576

All tubing above conforms with SAE Spec. J844.

For Tubing O.D. Size	Tubing Clamp (Rubber Covered) Pc. No.
1/4"	232821
5/16"	232822
3/8"	232823
1/2"	232824
5/8"	232825
3/4"	232826
1"	232827

SAE Standard J844B Type 3 Nylon Tubing

VMRS 13-010-003

O.D. (Inches)	Wall Thickness (Inches)	Length Feet	Tubing Color	Nylon Tubing Pc. No.
1/8	.023	100	Black	249094
1/8	.023	1000	Black	112429
1/4	.040	100	Black	246113
1/4	.040	250	Black	246114
1/4	.040	100	Red	248441
1/4	.040	100	Yellow	248442
1/4	.040	100	Green	248443
1/4	.040	1000	Black	291995
5/16	.046	100	Black	249095
3/8	.062	100	Black	246115
3/8	.062	250	Black	246116
3/8	.062	100	Red	248444
3/8	.062	100	Yellow	248445
3/8	.062	100	Green	248446
3/8	.062	100	Orange	248447
3/8	.062	500	Black	291996
1/2	.062	100	Black	246117
1/2	.062	250	Black	246118
1/2	.062	100	Red	248448
1/2	.062	100	Green	248449
1/2	.062	100	Orange	248450
1/2	.062	500	Black	291997
5/8	.092	100	Black	247606
3/4	.092	100	Black	247607
3/4	.092	100	Green	248451

Each carton of Nylon Tubing is designed for self dispensing. Adaptable for use with Standard Air Brake Fittings with the use of inserts.

Tube Inserts for Nylon Tubing



Can be used with standard Bendix tubing fittings.

For Tube Size O.D.	Pc. No.
1/4"	246088
5/16"	292802
3/8"	246089
1/2"	246090
5/8"	247608
3/4"	246091

Standard Nuts and Sleeves



Nut

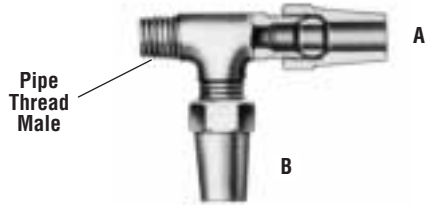


Sleeve

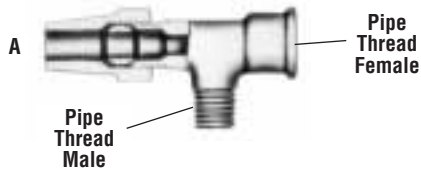
The tubing O.D. size determines the nut and sleeve used.

For Tubing Size O.D.	Nut Pc. No.	Sleeve Pc. No.
1/4"	200455	200457
5/16"	200363	200364
3/8"	200360	200361
1/2"	203755	203754
5/8"	210613	210612
3/4"	203896	203897
1"	203899	203900

Tubing Fittings (cont.)



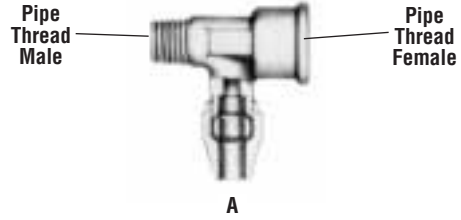
Pipe Thread Male	A Tubing O.D.	B Tubing O.D.	Tee Pc. No.
1/8"	1/4"	1/4"	221978
1/4"	3/8"	3/8"	205104
3/8"	3/8"	3/8"	217050
3/8"	3/8"	1/2"	224647
3/8"	1/2"	3/8"	215703
3/8"	1/2"	1/2"	215701
1/2"	5/8"	3/8"	222150
1/2"	5/8"	5/8"	221986
1/2"	3/8"	1/4"	224793
1/2"	1/2"	1/2"	227842



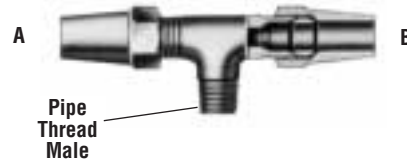
P.T. Female	P.T. Male	A Tubing O.D.	Tee Pc. No.
1/4"	1/4"	3/8"	215954
1/4"	3/8"	3/8"	224827
1/4"	3/8"	1/2"	217640
1/4"	1/2"	5/8"	224103
3/8"	3/8"	1/2"	227900
3/8"	3/8"	5/8"	228377
3/8"	1/2"	1/2"	275284



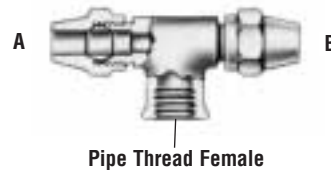
A Tubing O.D.	B Tubing O.D.	Union Pc. No.
1/4"	1/4"	205514
3/8"	3/8"	205134
1/2"	1/2"	215710
5/8"	5/8"	221826
3/4"	3/4"	216523
1"	1"	216339



P.T. Female	P.T. Male	A Tubing O.D.	Tee Pc. No.
1/4"	1/4"	1/4"	220478
1/4"	1/4"	3/8"	217619
1/4"	3/8"	1/2"	224799
1/2"	3/8"	3/8"	223664



P.T. Male	A Tubing O.D.	B Tubing O.D.	Tee Pc. No.
1/8"	1/4"	1/4"	205182
1/8"	3/8"	3/8"	217051
1/4"	1/4"	3/8"	225838
1/4"	3/8"	3/8"	205103
1/4"	5/8"	5/8"	223994
3/8"	3/8"	3/8"	205177
3/8"	1/2"	3/8"	224645
3/8"	1/2"	1/2"	215700
1/2"	1/2"	1/2"	224721
1/2"	5/8"	5/8"	221982
1/2"	3/8"	5/8"	223403

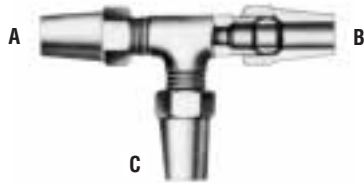


P.T. Female	A Tubing O.D.	B Tubing O.D.	Tee Pc. No.
1/4"	3/8"	3/8"	224681

Tubing Fittings (cont.)



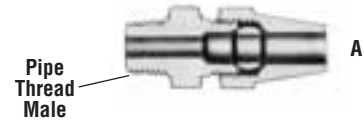
P.T. Female	A Tubing O.D.	Connector Pc. No.
1/8"	1/4"	205101
1/8"	3/8"	205418
1/4"	3/8"	205826
3/8"	3/8"	205827
3/8"	1/2"	215711
1/2"	1/2"	225561
1/2"	5/8"	221987
1/2"	3/4"	229738



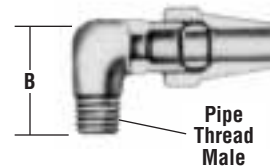
A Tubing O.D.	B Tubing O.D.	C Tubing O.D.	Tee Pc. No.
1/4"	1/4"	1/4"	221979
3/8"	3/8"	1/4"	225760
3/8"	3/8"	3/8"	205106
3/8"	3/8"	1/2"	217663
3/8"	1/4"	3/8"	226196
1/2"	1/2"	3/8"	225836
1/2"	1/2"	1/2"	215712
5/8"	5/8"	3/8"	222064
5/8"	5/8"	5/8"	221984



P.T. Female	A Tubing O.D.	Elbow Pc. No.
1/8"	1/4"	221977
1/8"	3/8"	205426
1/4"	3/8"	205135
3/8"	3/8"	205830
1/2"	5/8"	221983



P.T. Male	A Tubing O.D.	Connector Pc. No.
1/8"	1/4"	205127
1/8"	3/8"	205509
1/4"	1/4"	205183
1/4"	5/16"	205054
1/4"	3/8"	205053
1/4"	1/2"	217690
3/8"	3/8"	205824
3/8"	1/2"	217525
3/8"	5/8"	216685
1/2"	3/8"	222063
1/2"	1/2"	217691
1/2"	5/8"	216684
1/2"	3/4"	217621
3/4"	1/2"	217689
3/4"	5/8"	221985
3/4"	3/4"	215762
3/4"	1"	225786
1"	1"	215763

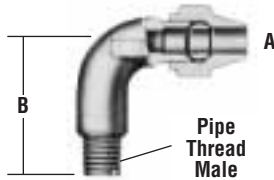


P.T. Male	A Tubing O.D.	B Height to Tubing Center	Elbow Pc. No.
1/8"	1/4"	3/4"	205539
1/8"	3/8"	31/32"	205522
1/4"	1/4"	15/16"	224318
1/4"	3/8"	31/32"	205102
1/4"	3/8"	1-7/16"	222858
1/4"	1/2"	1-1/8"	220475
3/8"	3/8"	15/16"	205829
3/8"	1/2"	1-1/8"	215709
3/8"	5/8"	1-5/32"	221993
1/2"	3/8"	1-5/16"	222062
1/2"	1/2"	1-5/16"	216310
1/2"	5/8"	1-3/8"	221825
3/4"	1/2"	1-5/16"	221536
3/4"	5/8"	1-5/16"	229108
3/4"	3/4"	1-3/8"	216520

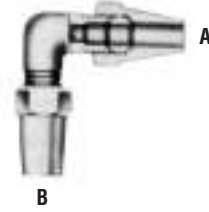
Tubing Fittings (cont.)



REDUCING BUSHING PC. NO.	PIPE THREAD	
	A	B
BRASS		
212862	3/8"	1/4"
230130	1/2"	1/4"
230808	1/2"	3/8"
STEEL		
212349	1/2"	3/8"
234680	3/4"	1/2"



P.T. Male	A Tubing O.D.	B Height to Tubing Center	Elbow Pc. No.
1/8"	3/8"	1-7/8"	215953
1/2"	3/4"	1-3/8"	217504



A Tubing O.D.	B Tubing O.D.	Elbow Pc. No.
1/4"	1/4"	224317
3/8"	3/8"	205113
1/2"	1/2"	222359
5/8"	5/8"	222360

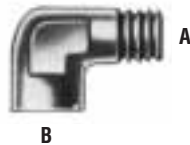


P.T. Male	A Tubing O.D.	Elbow (45°) Pc. No.
1/4"	3/8"	220722
3/8"	3/8"	220291
3/8"	1/2"	220292
1/2"	3/8"	225650
1/2"	1/2"	227162
1/2"	5/8"	222065

Miscellaneous Fittings

VMRS 13-009-016

P.T.		STREET ELBOW 90° Pc. No.
A	B	
BRASS		
1/8"	1/8"	233567
1/4"	1/4"	233568
3/8"	3/8"	233569
1/2"	1/2"	233570
3/4"	3/4"	233571



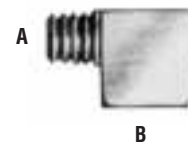
P.T.		STREET ELBOW 45° Pc. No.
A	B	
BRASS		
1/4"	1/4"	233572



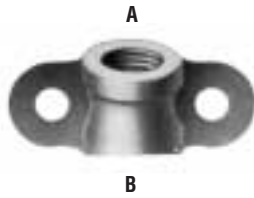
P.T.		PIPE ELBOW 90° Pc. No.
A	B	
BRASS		
1/4"	1/4"	202915



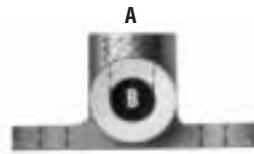
P.T.		REDUCING ELBOW 90° Pc. No.
A	B	
BRASS		
1/8"	1/4"	232871



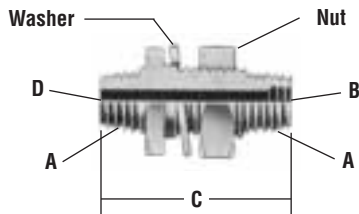
Miscellaneous Fittings (cont.)



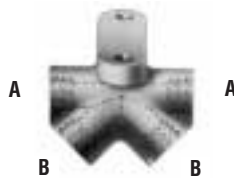
A Pipe Tap	B Pipe Tap	Anchor Elbow Pc. No.
1/4"	1/4"	201030
3/8"	3/8"	212765



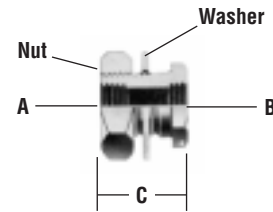
A Pipe Tap	B Pipe Tap	Anchor Elbow Pc. No.
1/4"	1/4"	201010
3/8"	3/8"	233420



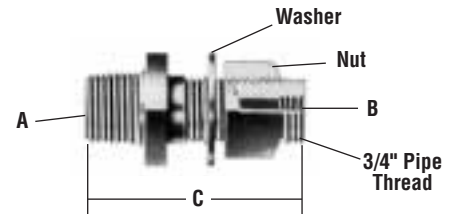
A P.T.	B Pipe Tap	C Length	D Pipe Tap	Clamping Stud Pc. No.
1/2"	1/4"	2-15/16"	—	205730
1/2"	1/4"	3-15/16"	—	223464
1/2"	1/4"	2-15/16"	1/4"	228146



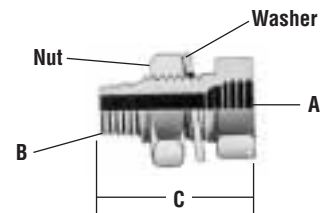
A Pipe Tap	B Pipe Tap	Manifold Fitting Pc. No.
3/8"	1/4"	210398



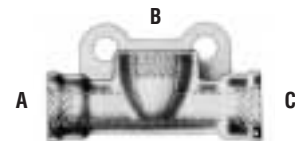
A Pipe Tap	B Pipe Tap	C Length	Anchor Coupling Pc. No.
1/8"	1/8"	1-17/32"	225740
1/4"	1/4"	31/32"	221204
1/4"	1/4"	1-17/32"	205465
3/8"	3/8"	1-5/16"	217709



A P.T.	B Pipe Tap	C Length	Clamping Stud Pc. No.
1/2"	1/4"	1/8"	205498
1/2"	1/4"	2-1/2"	205499



A Pipe Tap	B P.T.	C Length	Anchor Coupling Pc. No.
3/8"	3/8"	1-7/8"	215672

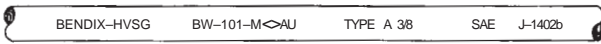


A Pipe Tap	B Pipe Tap	C Pipe Tap	Anchor Tee Pc. No.
1/4"	3/8"	1/4"	231379
3/8"	3/8"	3/8"	236056
3/8"	1/2"	3/8"	239727

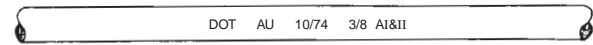
TYPE BW-101-M TYPE A HOSE is standard for all flexible connections in the air brake system where conditions do not require larger hose. They are most commonly used for Brake Chamber Hose connections, or Trailer Hose connections.

Identify by inside and outside diameters and continuous marking on the outside surface.

3/8" I.D. TYPE A (FRONT VIEW)



BACK VIEW



BW-101-M HOSE is available as follows:

PC. NO.	DESCRIPTION
285496	50 Ft. Coil Carton

**ORDER BY
PIECE NUMBER**

TYPE BW-127-M TYPE A HOSE is of similar construction to BW-101-M TYPE A HOSE but has larger inside and outside diameters. It is used in special cases requiring larger hose than the standard Type BW-101-M.

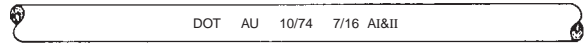
Identify by inside and outside diameters and continuous markings on the outside surface.

BW-127-M HOSE is available in a maximum length of 50 Ft. It is supplied as follows:

1/2" I.D. TYPE A (FRONT VIEW)



BACK VIEW



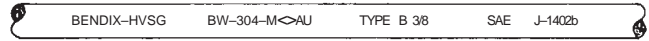
PC. NO.	DESCRIPTION
289376	50 Ft. Coil Bulk

**ORDER BY
PIECE NUMBER**

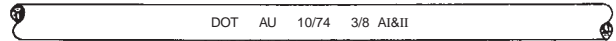
BW-304-M TYPE B HOSE is standard for all flexible connections in the air brake system where conditions do not require larger hose. It is most commonly used for Brake Chamber Hose connections, or Trailer Hose connections.

Identify by inside and outside diameters and continuous markings on the outside surface.

3/8" I.D. TYPE B (FRONT VIEW)



BACK VIEW



BW-304-M HOSE is available as follows:

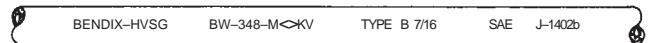
PC. NO.	DESCRIPTION
277546	50 Ft. Coil Carton
285497	100 Ft. Coil Carton
285498	250 Ft. Coil Reel

**ORDER BY
PIECE NUMBER**

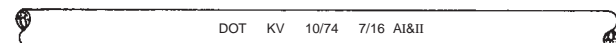
BW-348-M TYPE B HOSE is of similar construction to BW-304-M TYPE B HOSE but has larger inside and outside diameters. It is used in special cases requiring larger hose than the standard Type BW-101-M and BW-304-M Hose.

Identify by inside and outside diameters and continuous markings on the outside surface.

1/2" I.D. TYPE B (FRONT VIEW)



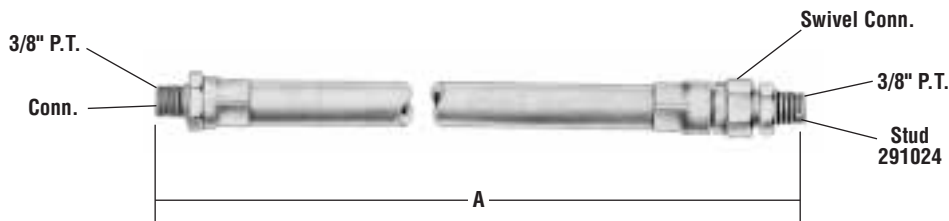
BACK VIEW



PC. NO.	DESCRIPTION
932348	(Specify No. of Ft.)

**ORDER BY
PIECE NUMBER**

CRIMP TYPE-FIXED & SWIVEL FITTINGS

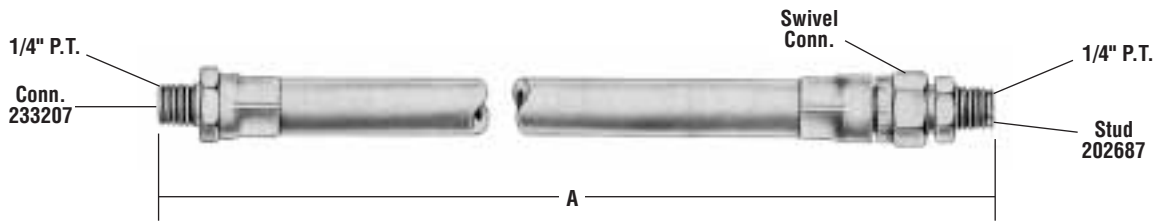


Flexible Hose Assembly Crimp Type (Fixed & Swivel Fittings) 1/2 I.D.; 13/16 O.D. Hose (BW-348-M)

A	Pc. No.	A	Pc. No.	A	Pc. No.	A	Pc. No.
14"	288127	22"	288249*	32"	288140	44"	288146
16"	288129	23"	288136	34"	288141	46"	288147
18"	288131	24"	287389	36"	288142	48"	288148
20"	288133	26"	288137	38"	288143	60"	288469
21"	288134	28"	288138	40"	288144		
22"	288135	30"	288139	42"	288145		

*Customer Ident.

NOTE: Hose Assemblies Comply With Federal Motor Vehicle Safety Standard 106 As Effective March 1, 1975.



BW-304-M Type B 3/8" I.D. x 3/4" O.D.

3/8" I.D. TYPE B HOSE

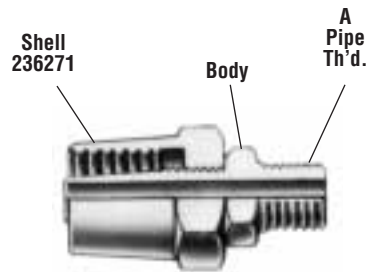
A OVERALL LENGTH	HOSE ASSEMBLY PC. NO.	A OVERALL LENGTH	HOSE ASSEMBLY PC. NO.	A OVERALL LENGTH	HOSE ASSEMBLY PC. NO.	A OVERALL LENGTH	HOSE ASSEMBLY PC. NO.
15-1/8	228533	24-7/8	228544	32	228552	45-1/8	228563
18-5/8	228535	26-7/8	228547	34-3/8	228554	50-1/8	228565
20-3/8	228539	27-5/8	228548	36-1/8	228555	54-1/8	228566
22-58/8	228541	29-1/8	228549	38-1/8	228557	68-5/8	228567
24-1/8	228472	30-1/8	228550	42-5/8	228561		

FOR 3/4 O.D. x 3/8 I.D. HOSE

Hose Connector

For BW-101-M & BW-304-M Hose

A P.T.	Hose Connector Pc. No.	Body Pc. No.
1/4"	226134	236268
3/8"	226135	236269
1/2"	226136	236270

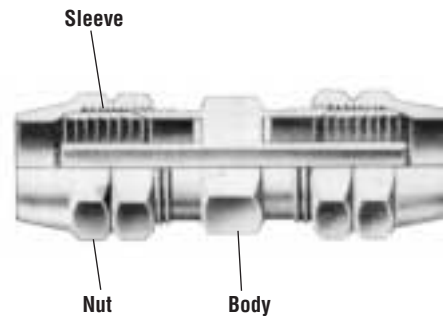


FOR 3/4 O.D. x 3/8 I.D. HOSE

Hose Union

For BW-101-M & BW-304-M Hose

Hose Union Pc. No.	Body Pc. No.	Sleeve 2 Required Pc. No.	Nut 2 Required Pc. No.
216678	216694	203610	203624

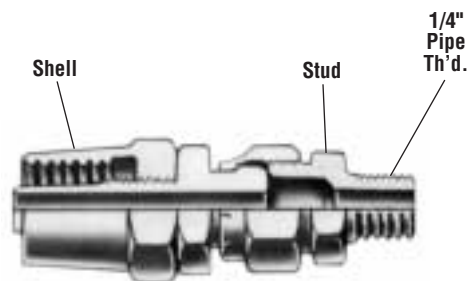


FOR 3/4 O.D. x 3/8 I.D. HOSE

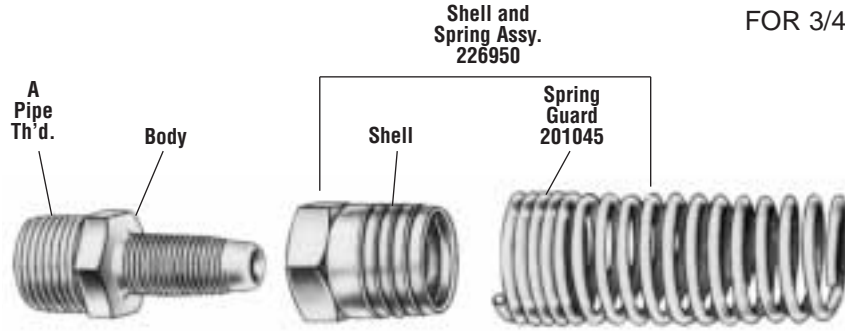
Hose Connector (Swivel)

For BW-101-M & BW-304-M Hose

Hose Connector (Swivel) Pc. No.	Stud Pc. No.	Shell Pc. No.
226293	202687	236271

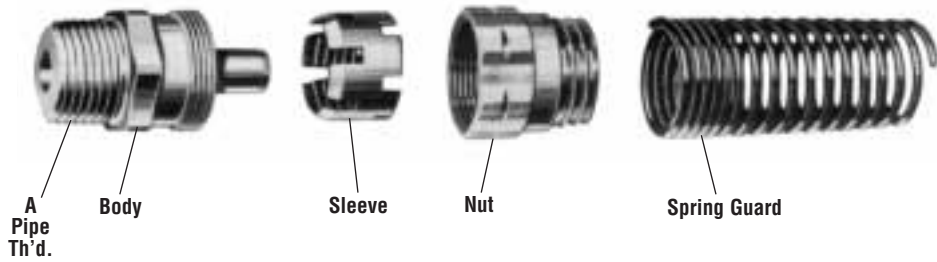


FOR 3/4 O.D. x 3/8 I.D. HOSE



Hose Connector with Spring Guard For BW-101-M & BW-304-M Hose

A P.T.	Hose Connector with Spring Guard Pc. No.	Body Pc. No.
1/4"	226137	236268
3/8"	226138	236269
1/2"	226139	236270



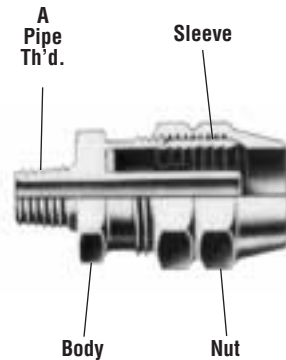
Hose Connector with Spring Guard

A P.T.	For Hose	Body Pc. No.	Sleeve Pc. No.	Nut Pc. No.	Spring Guard Pc. No.	Hose Connector with Spring Pc. No.
1/4"	3/8" I.D. Types A & B	215993	203610	203613	201045	215536
3/8"	3/8" I.D. Types A & B	233470	203610	203613	201045	223907
3/8"	7/16" I.D. Types A & B	216173	204741	204742	204743	216172
1/2"	3/8" I.D. Types A & B	215992	203610	203613	201045	215535

Hose Fittings

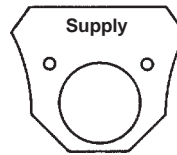
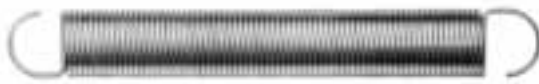
Hose Connector

A P.T.	For Hose No.	Hose Connector Pc. No.	Body Pc. No.	Sleeve Pc. No.	Nut Pc. No.
1/2"	BW-101 & 304-M	215539	215992	203610	203624
1/4"	BW-101 & 304-M	215540	215993	203610	203624
3/8"	BW-127 & 348-M	217604	216173	204741	212318
3/8"	BW-101 & 304-M	224887	233470	203610	203624
1/4"	BW-379 & 378-M	277810	243012	243014	243013

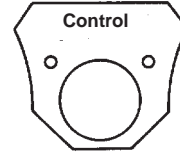


Hose Suspension Spring

Description	Spring Pc. No.
3/4" Dia.-Std.	200661
1" Dia.-H.D.	249393
1-1/16" Dia.-H.D.	249394



Connection Tag
For 'Supply' Hose Line
Pc. No. 201499



Connection Tag
For 'Control' Hose Line
Pc. No. 201500

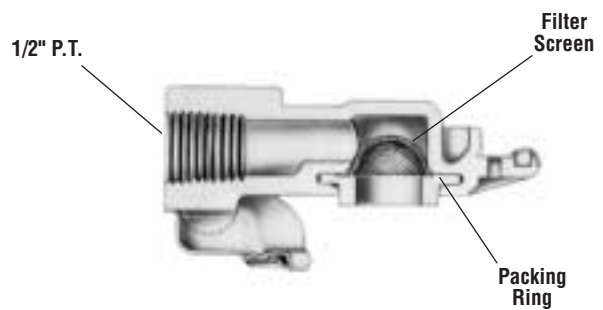
Hose Couplings

VMRS 13-010-030
13-010-031

Standard Die Cast

HC-1 Pc. No.	Filter Screen Pc. No.
275150	NONE
*275824	NONE
278698	241839

* With 1/2" Nipple Pc. No. 212324



Filter Screen



Pc. No. 241839
Fits All Couplings

Packing Rings



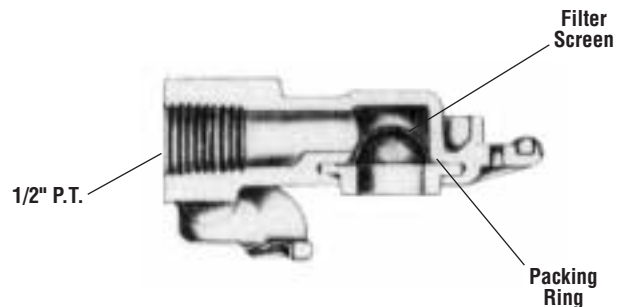
Pc. No. 213630
Standard



Pc. No. 248579
Double Lip
Fits All Couplings

TRU-CUPL Hose Couplings

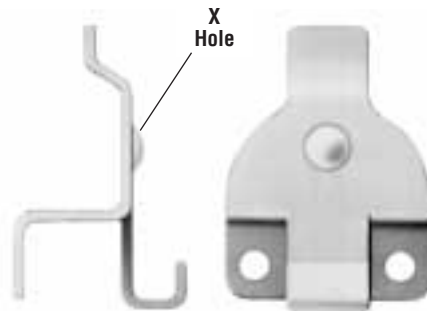
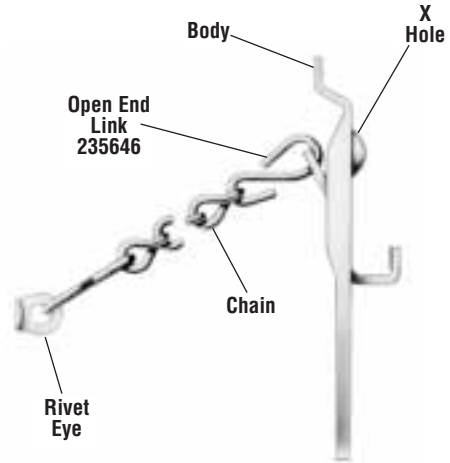
Hose Coupling Pc. No.	Filter Screen Pc. No.	Coupling Type
278850	NONE	CONTROL
278851	NONE	SUPPLY
278852	241839	CONTROL
278853	241839	SUPPLY



Dummy Couplings

Dummy Coupling with Chain Pc. No.	Rivet Eye Pc. No.	X Hole Dia.	Chain Pc. No.
220635	NONE	1/8"	212930
220636	NONE	NONE	212930
224810	234393	NONE	212930
277994	NONE	NONE	212930

Dummy Coupling Pc. No.	X Hole Dia.
212227	NONE
291991	3/16"



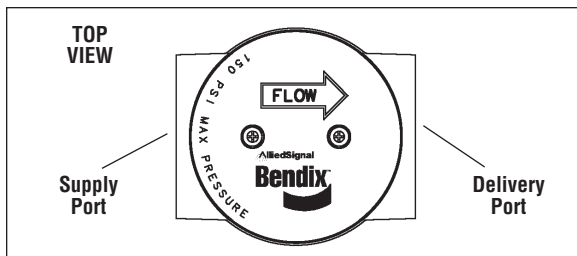
Air Dryers 08

PuraGuard

PuraGuard™

Service Pc. No.
800691

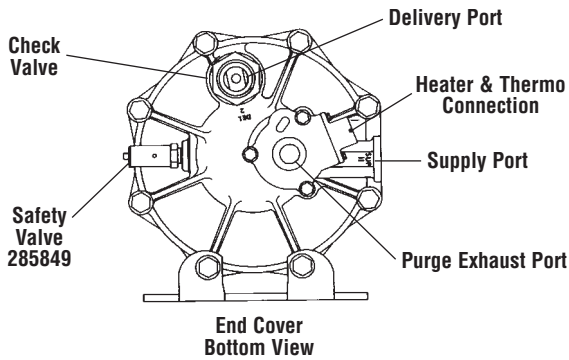
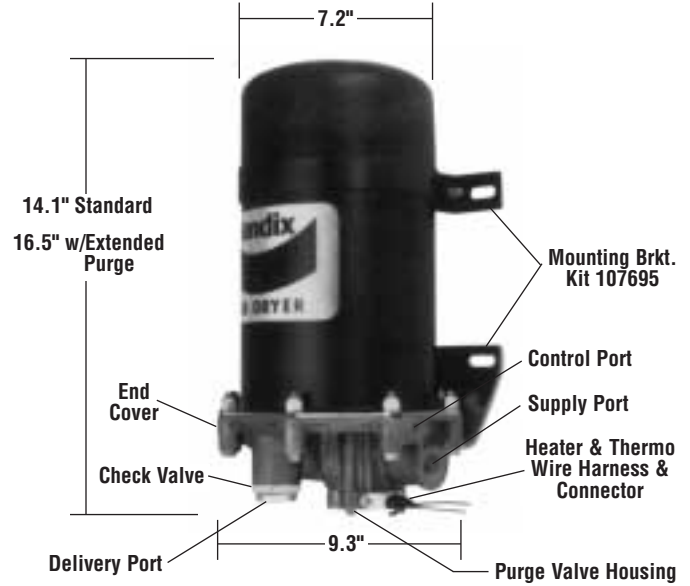
- Maintenance Kit5006788
- Rebuild Kit.....5006789
- Replacement Drain Cock.....226338



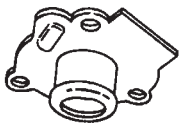
AD-9 Air Dryer

- More Desiccant Works Longer
- Compact Size Saves Space.
- Remanufactured Exchange
- VMRS 13-010-033

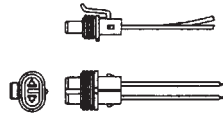
Part No.	Description
107796	Service New – Desiccant Cartridge
107794X	Reman. Exchg. – Desiccant Cartridge
109579	24 Volt Heater & Thermo.
109578	12 Volt Heater & Thermo.
107695	Bracket Kit
5005037	Hard Seat Purge Valve Kit
5005893	Soft Seat Purge Valve Kit



Detail Parts or assemblies not displaying a part number and not contained in a kit ARE NOT AVAILABLE



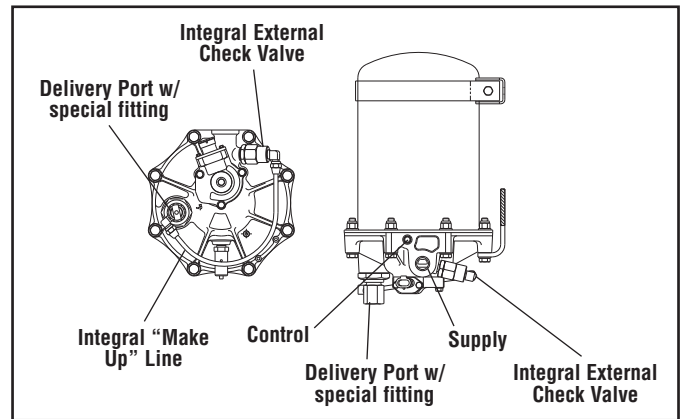
Exhaust Cover
PC. NO. 112399



Wiring Harness & Connector
PC. NO. 298948



Universal Mounting Plate
PC. NO. 248478



AD-9 Drop In

AD-9 Service Part No.	AD-9 Reman. Exch. Part. No.	End Cover Information and Detail							Comments
		End Cover Assy. Complt. New	Supply & Delivery Port Size	Check Valve Assy.	Purge Valve Assy.			Heater & Thermo Kit	
					Heater Voltage (75 Watt)	Purge Vlv. Assy. Complt. w/Heater New	Purge Vlv. Assy. Complt. w/Heater Reman.		
065224	–	065229	.75" PT	107799	24	5004338	5004342	109579	
065225	109685X	065231	.50" PT	107800	12	800405	5004341	109578	
065226	109687X	065230	.75" PT	107799	12	800405	5004341	109578	
065227	109688X	065229	.75" PT	107799	24	5004338	5004342	109579	Extended Purge
065228	–	065230	.75" PT	107799	12	800405	5004341	109578	Extended Purge
065243	–	065231	.50" PT	107800	12	800405	5004341	109578	Extended Purge
800514	–	065454	.50" PT	107800	24	5004338	5004342	109579	Extended Purge
065499	–	065498	.50" PT	107800	12	5004339	–	109578	Discharge Line Unloader Model
065605	–	065605	.50" PT	107800	24	5004340	–	109579	Discharge Line Unloader Model
065649	–	065653	.75" PT	107799	24	5004338	5004342	109579	Soft Seat
065650	109689X	065654	.50" PT	107800	12	800405	5004341	109578	Soft Seat
065651	109690X	065655	.75" PT	107799	12	800405	5004341	109578	Soft Seat
065652	109691X	065653	.75" PT	107799	24	5004338	5004342	109579	Soft Seat – Extended Purge
065647	–	–	.50" PT	107800	12	800405	5004341	109578	Drop In

AD-SP Air Dryer

- System Purge
- Available Remanufactured Exchange

VMRS 13-010-033

AD-SP Field Installation Kits

Kit Pc. No.	Voltage
131031	12V
131032	24V

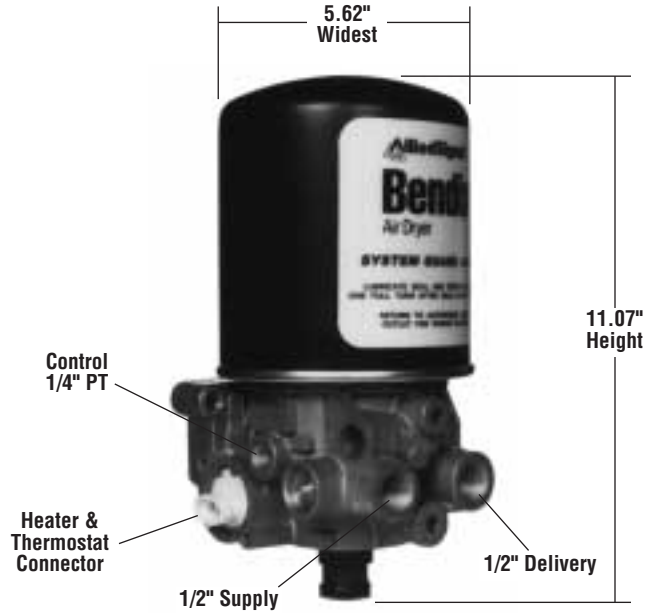
Reman. Pc. No.	Service Pc. No.	Heater & Thermostat Volts-Watts (See Note 2)	Comments
109991X	065691	12v - 90w	
109992X	065694	24v - 90w	
-	800042	12v - 90w	Drop-In
-	800043	24v - 90w	Drop-In

Note 1: All replacement air dryers include 109871, wire harness and splice kit.

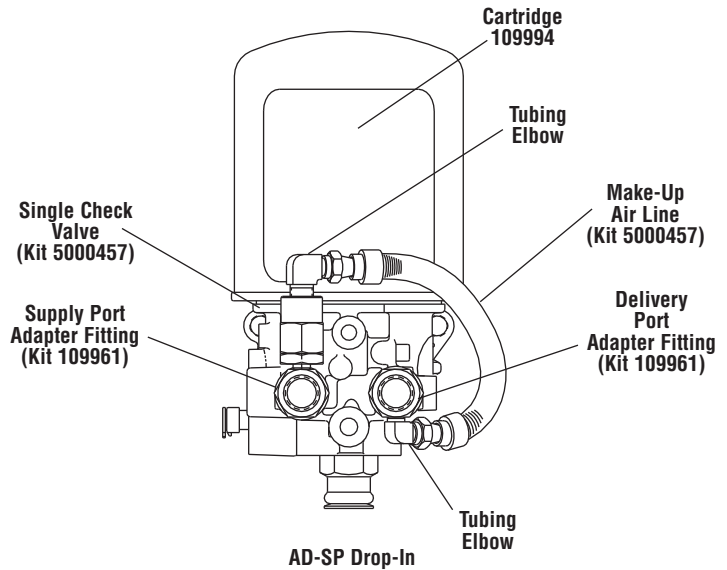
Note 2: 12 & 24 volt AD-SP air dryers are identified by connector color - White = 12v, Gray = 24v



SC-PR
Single Check Protection Valve - must be used in conjunction with the AD-SP Air Dryer
065677 - Service New
5000148X - Reman



AD-SP



AD-SP Drop-In

AD-4 Air Dryer



Service & Reman. Assys.

AD-4 Reman. Pc. No.	AD-4 Service Pc. No.	AD-9 Reman. Pc. No.	Heater Volts	Supply Ports	Comments
065041X	065041	109685X	12	1/2 P.T.	
065057X	065057	109687X	12	3/4 P.T.	
065089X	065089	065089X	24	3/4 P.T.	Extended Purge
065102X	065102	065102X	12	3/4 P.T.	Extended Purge

Remanufactured End Covers

065043X	24V. 3/4" Ports
065044X	12V. 1/2" Ports

Pc. No.	Description
102657	Thermostat Kit (single term.)
103817	Major Kit
103818	Purge Valve Kit
103879	Seal Kit
103980	End Cover Kit
103981	Desiccant Cartridge Kit
103982	Thermostat Kit (double term.)
104027	Mounting Bracket Kit
104358X	Reman. Desiccant Cartridge
288918	Thermostat Cover Kit (single)

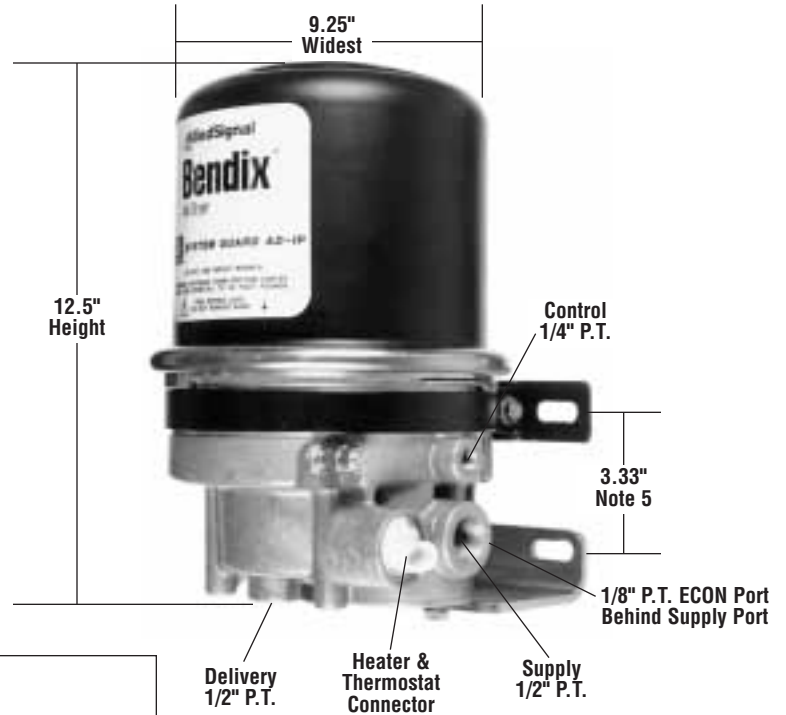
AD-IP Air Dryer

• Integral Purge Air Dryer

VMRS 13-010-033

Maintenance Kits

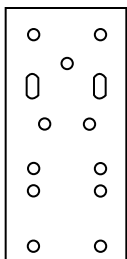
Desiccant Cartridge	
Service New	065624
Remanufactured	109493X
Service Purge Valve	800404
Cartridge Bolt Kit	109498
Delivery Check Vlv. Kit	109494
Heater & Thermo. Kit	
12 Volt	109495
24 Volt	109496
Wire Harness & Splice Kit	109871
Mounting Bracket Kit	5001247



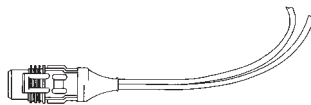
Service Pc. No.	Reman. Pc. No.	Supply Port	Delivery Port	Heater & Thermo. Volts-Watt	Comments
065612	109477X	1/2" PT	1/2" PT	12v - 90w	Notes 3, 4, 6
065613	109478X	1/2" PT	1/2" PT	24v - 90w	Notes 3, 4, 6
065693	109503X	1/2" PT	1/2" PT	12v - 90w	Notes 1, 3, 4
800089	5000985X	1/2" PT	1/2" PT	12v - 90w	Notes 2, 3, 4, 6
800618	5006234X	1/2" PT	1/2" PT	24v - 90w	Notes 3, 4, 6, 7
800576	5005556X	1/2" PT	1/2" PT	12v - 90w	Notes 3, 4, 6, 7

**Extended Purge Kit
5005309**

- Note 1- No upper or lower mounting bracket.
- Note 2 - Has 1/8" PT ECON port (plugged). See illustration for port location.
- Note 3 - All replacement air dryers include 109871 (wire harness and splice kit).
- Note 4 - 12 & 24 volt air dryers are identified by connector color - White = 12v, Gray = 24v
- Note 5 - Center to center of slots in both brackets 5.64 inches
- Note 6 - All replacement air dryers include 5001247 (mounting bracket kit)
- Note 7 - Extended Purge



Universal Mounting Plate
Pc. No. 113209
(Can be used to mount any air dryer to vehicle)



Wire Harness Assembly
(Use Kit 109871)



Exhaust Cover 112609
(available as a separate item)



AD-IP Drop In

Service Pc. No.	Reman. Pc. No.	Supply Port	Delivery Port	Heater & Thermo. Volts-Watt	Comments
800067	5000709X	1/2" PT	1/2" PT	12v - 90w	Notes 1, 2

- Note 1- All replacement air dryers include 109871 (wire harness and splice kit) and 5001247 (mounting bracket kit).
- Note 2 - 12 & 24 volt air dryers are identified by connector color - White = 12v, Gray = 24v

AD-2 Air Dryer

- End Cover Available Remanufactured Exchange VMRS 13-010-033

AD-2 Field Installation Kits For Trucks

Reman Pc. No.	New AD-2 Pc. No.	Inlet/Outlet Size	Remarks
286934X	286934	1/2" P.T.	12 V.D.C. - 60 W. Heater

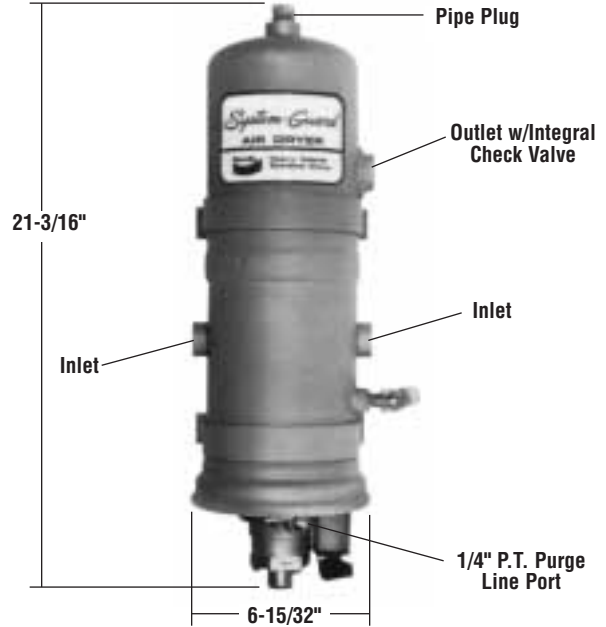
End Covers

Reman Pc. No.	Service Pc. No.	Remarks
103253X	103253	24 V.D.C. - 120 W. Heater
286875X	286875	12 V.D.C. - 60 W. Heater
286876X	286876	24 V.D.C. - 60 W. Heater

Service/Maintenance Information

Maintenance Kits:

Pc. No.	Description
102657	Thermostat Maintenance Kit
286718	Desiccant Cartridge Refill Kit
287053	Purge Valve Maintenance Kit
287298	Check Valve Maintenance Kit
287313	Replacement Desiccant Cartridge Kit
288918	Thermostat Cover Maintenance Kit



PC. NO. 101900X IS REMFR. EXCH. DESICCANT CARTRIDGE

Gaskets



PC. NO. 243430
ASBESTOS FIBER WITH BUNA N
FOR ALL TF COMPR. EXCEPT TF-300

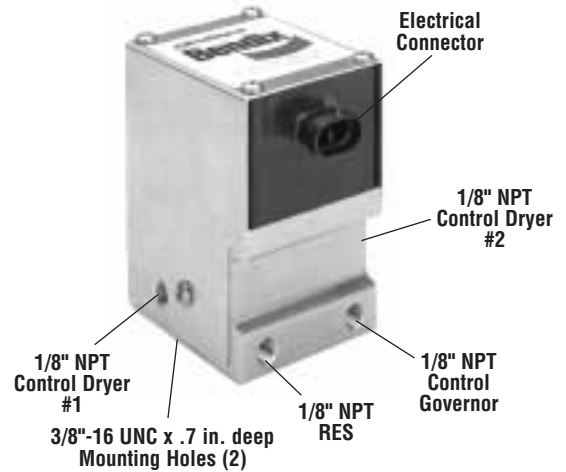


PC. NO. 243069-A=5/16"
PC. NO. 244813-A=3/8"
BUNA N RUBBER/ALUMINUM
FOR ALL TF COMPR. EXCEPT TF-300

EverFlow™ Air Dryer Module

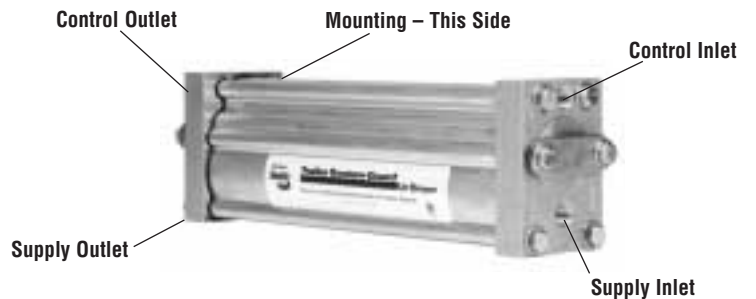
Retrofit Kit Pc. No.	Service Pc. No.	Voltage
800684	800685	12 V
800723	800722	24 V

Harness & Splicer Kit.....109871
Mounting Bracket296010



Trailer System-Guard® Air Dryer

Service Pc. No.
800765



All Supply and Control ports 1/4" NPT

FD-1, FD-L & TorqueMaster FD-3 Fan Clutch

VMRS 42-003

- Available Remanufactured Exchange

Fan Clutch Maintenance Kits

Kit Pc. No.	Description	Model
289319	Minor Kit	FD-1
288907	Reline Kit	FD-1
104937	Minor Kit	FD-3
104938	Reline Kit	FD-3
104939	Rebuild Kit - Clockwise Rotation	FD-3 (Standard)
104940	Rebuild Kit - Counterclockwise Rotation	FD-3 (Standard)
104941	Rebuild Kit - Clockwise Rotation	FD-3 (2.56" Pilot)
104942	Rebuild Kit - Counterclockwise Rotation	FD-3 (2.56" Pilot)
106733	Minor Kit	FD-L
106732	Reline Kit	FD-L
106731	Rebuild Kit	FD-L



FD-1 & TorqueMaster
FD-3



FD-L

Caution Fan Bolts must not enter fan plate more than 1/2" or less than 3/8". Fan Bolts that enter the fan plate more than 5/8" will cause immediate damage to the TorqueMaster FD-3, FD-L and eventual damage to the FD-1.

Fan Clutch Controls Index Controls

Kit Pc. No.	Description
109750	Control Kit (Vehicles with Air Conditioning)
109751	Control Kit (Vehicles without Air Conditioning)
5000595	Manual Override Kit

Air Conditioning Interlock (Override) Installation Kits

Used in addition to the thermo pneumatic control valves on vehicles with radiator mounted air conditioning condensers. Kit contains all necessary parts (except wiring, tubing and fittings) to complete installation.

Kit Pc. No.	Tap Line Valve	Solenoid Valve	Pressure Switch	For Line Size
209771	289021	289023	289025	1/2" & 3/8"
209800	289608	289023	289025	5/8"

*Special fitting for mounting switch 289025 in dryer-receiver.

Fan Clutch Controls Control Kits

Multistat Valves

Controls the fan clutch and shutters.

Multistat Valve Pc. No.	Shutter Temperature Setting (Deg. F)	Fan Temperature Setting (Deg. F)
102133	185	190
102134	190	195
102135	195	200



MULTISTAT VALVE

Thermo Pneumatic Control Valves

Used on all fan clutch installations and controls the fan clutch. Closing temperature should be 10° higher than the engine thermostat (fully open position).

Thermo Pneumatic Control Valve Pc. No.	Closing Temperature (Deg. F)
289018	185
289019	190
289020	195
101329	200

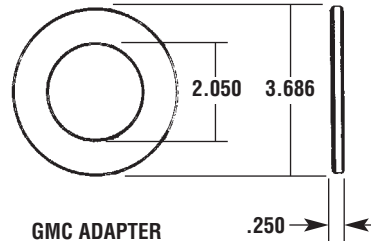


THERMO PNEUMATIC VALVE

Fan Clutch Accessories

GMC Adapter

Used only on GMC vehicles and included in fan clutch assemblies where required. Adapts the GMC fan to either the fan clutch or spacers.

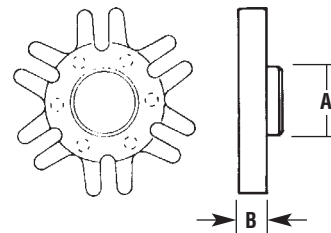


**GMC ADAPTER
PC. NO. 292309**

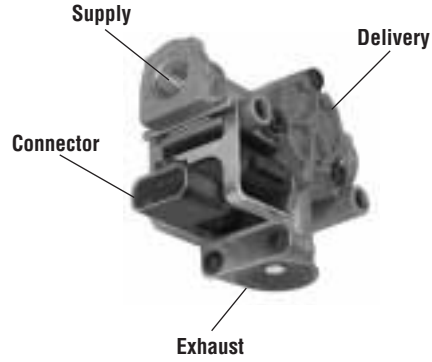
Fan-Spacers

The maximum permissible fan overhang (stack up of spacers) is 1-1/2".

FAN SPACER PC. NO.	A DIM'N.	B DIM'N.
292310	1.998"	.50"
292311	1.998"	.75"
292312	2.051"	.50"
292313	2.051"	.75"
297912	2.560"	.50"
297913	2.560"	.75"



M-30 Antilock Modulator



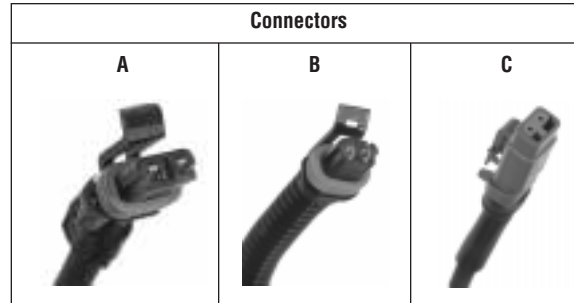
M-30 Pc. No.	Supply	Delivery
800665	1/2 NPT	1/2 NPT
800666	1/2 PTC	1/2 PTC

PTC - Push to Connect

WS-20 Wheel Speed Sensor



Pc. No.	Type	Connector	Wire Length
065280	straight	A	290'-3"
065517	90°	B	133'-4"
800688	90°	C	127'-0"



Bendix brake block. non-
asbestos friction material, is
available in formulations
which meet the needs of our
medium, heavy and severe
applications.

UV BRAKE BLOCK

For heavy-duty vehicles with
S-cam brakes. Performance
characteristics include: long
lining and drum life, stability
through a wide range of tem-
peratures and superior resis-
tance to swell and growth at
high temperatures.

UVD BRAKE BLOCK

For trucks and tractor/trailers
with S-cam brakes in medium
to heavy service conditions.
Performance characteristics
include: minimum drum and
lining wear, long life, excellent
dependability and stable fric-
tion through all normal brak-
ing temperatures.

UVS BRAKE BLOCK

For trucks or tractor/trailers
operated under normal condi-
tions in less severe applica-
tions. Excellent for line haul
operations. Use with vacuum,
hydraulic, air-over-hydraulic
or air brake systems.
Performance characteristics:
minimum drum wear, depend-
ability and economy.

MET BRAKE BLOCK

For highest heat applications.
Ideal for severe duty applica-
tions where repeated braking
in rugged terrain is necessary
such as dump, cement, liquid,
steel, logging and low-boy
hauling. Performance charac-
teristics: Repeated sure stop
without excessive heat fade
or loss of friction, exceptional
drum and lining life, and cold
braking performance.

COM BRAKE BLOCK (UVD & MET)

For heavy-duty applications.
Combines the performance
characteristics of the MET
and UVD formulations. MET
cams and UVD anchors will
optimize this combination for
the best performance.

UT TRUCK SEGMENTS

For trucks and buses in
medium-duty applications.
Use with vacuum, hydraulic
or air brake systems.
Performance characteristics
include: high temperature
tolerance with friction stabili-
ty; smooth, quiet, safe ser-
vice; and long life.

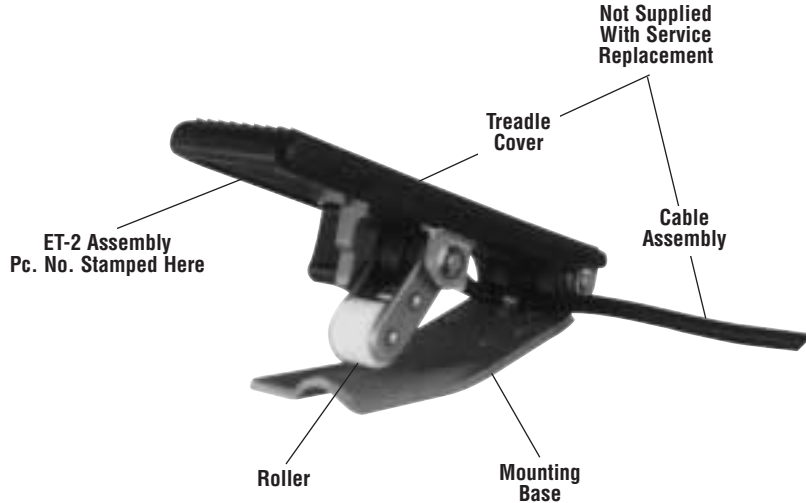
Duty Cycle	Identification	Edge Code	Friction Rating
Medium Duty	UVS	BXGD	EE
Heavy Duty	UVD	BXGB	FF
Heavy Duty (Combo)	COM	BXGB/BXBE	FF
Extra Heavy Duty	UV	BXGA	FE
Severe Duty	MET	BXBE	FF
Truck Segments	Ut	BXSC	GF



ET-2 Electronic Throttle

- Pivot Pin Kit 550392
- Lever Shaft Spring Kit 550393

VMRS No. 44-007-047



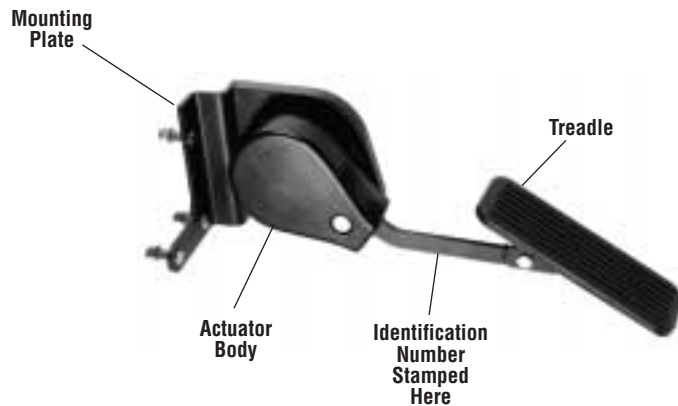
O.E. Pc. No.	Service Replacement Pc. No.	Minor Rebuild Kit
550200	065151	550394
550305	065290	550394

ET-S Electronic Treadle

VMRS No. 44-007-047

- Treadle Spring Kit 5002359

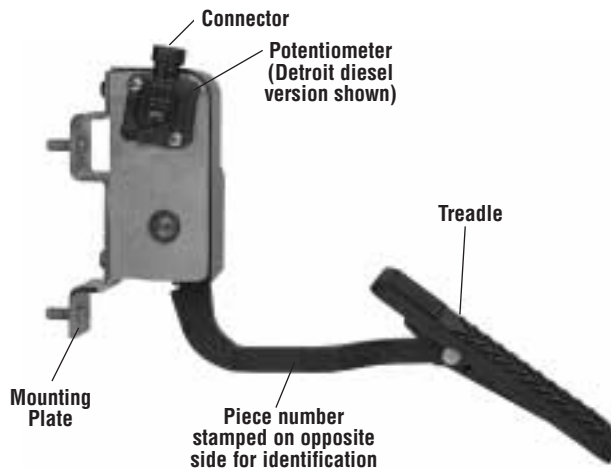
Service Pc. No.	Identification Number	Potentiometer Kit
800230	5001649	5002356
800231	5001650	5002357
800232	5001651	5002358



ET-S2 Electronic Treadle

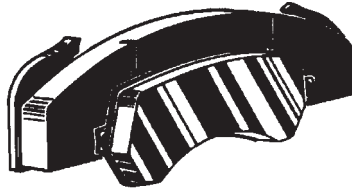
VMRS No. 44-007-047

Service Piece No.	Treadle & Spring Kit	Potentiometer Replacement Kit
800606	5006085	5002356 (Cummins)
800607	5006085	5006086 (DDC)
800608	5006085	5002357 (Caterpillar)



AlliedSignal Bendix Medium Duty Hydraulic Truck Coverage

Remember that AlliedSignal Bendix offers a product line that services the medium duty customer! The product line consists of Friction, Calipers, Brake Rotors, Hardware, Power Brake, Master Cylinders, Clutch Master Cylinders, Wheel Cylinders and Hoses.

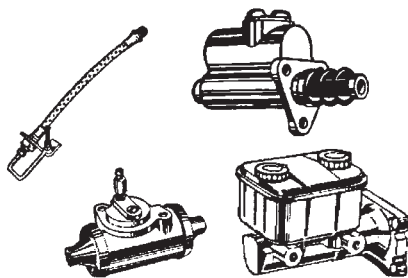
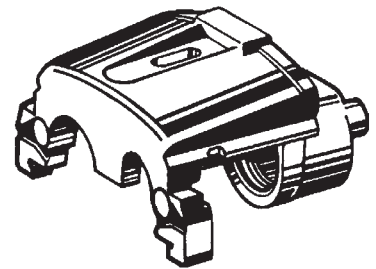


Friction

Disc Brake Pads – “HD” and “PREM”
New Parking Brake Shoe

Calipers

New, remanufactured and loaded calipers

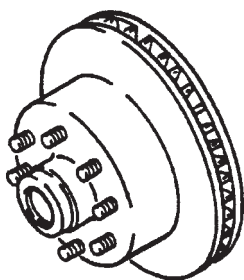
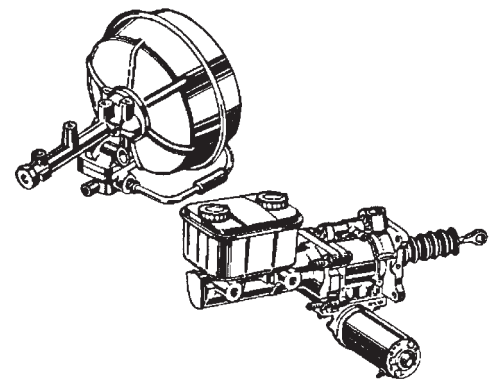


Hydraulics

Complete coverage

Power Brake

New & Remanufactured Hydrovac's & Hydro-Max
The name in power brake for over 50 years



Brake Rotors

Outstanding coverage
Manufactured to AlliedSignal Bendix quality requirements

Hardware

All the necessary hardware to do the job “right”

Remanufactured Brake Calipers For Medium Duty Trucks

- 55098 (Service) Right Hand**
- R55098 (Reman. Exch.) Right Hand**
- 55099 (Service) Left Hand**
- R55099 (Reman. Exch.) Left Hand**

Description: 3.38" Bendix
Single Piston Caliper

Typical Applications: Navistar

Characteristics: U.S. Inlet Port/
U.S. Bleed Screw (94006)
Casting No. 2238452R,
2238451L

Related Items:

Disc Pads: MK 184 HD, MK 184
PREM
Hardware Kit: H5634
Shim Kit: H8203



- 55199 (Service) Right Hand**
- R55199 (Reman. Exch.) Right Hand**
- 55200 (Service) Left Hand**
- R55200 (Reman. Exch.) Left Hand**

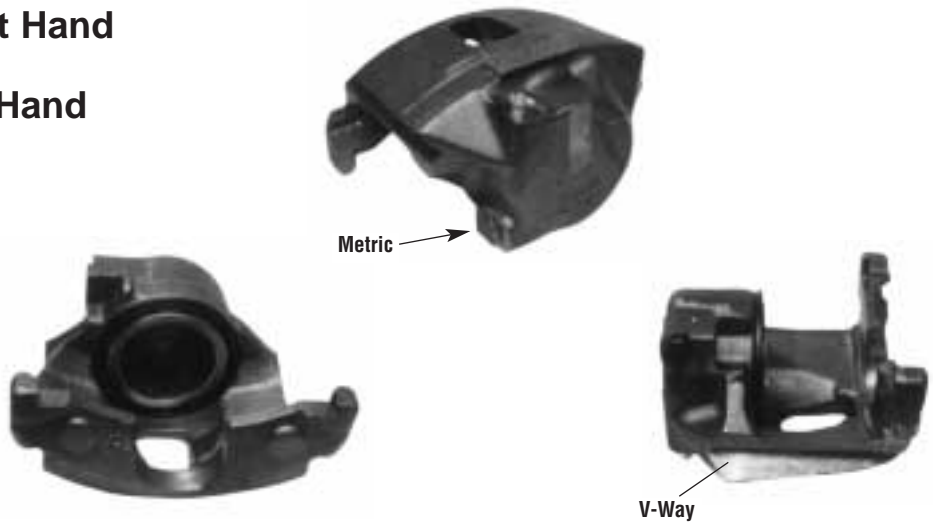
Description: 3.38" Bendix
Single Piston Caliper

Typical Applications: GMC/CHEVROLET

Characteristics: Metric Thread
Inlet Port/
Metric Bleed Screw (94015)
Casting No. 2238452R, 2238451L

Related Items:

Disc Pads: MK 149 HD, MK 149
PREM
Hardware Kit: H5529
Oversize Key Kits: H5604-H5608



- 55245 (Reman. Exch.)**
- See 55314 for Service**
- new piece number**

Description: 2.60" Bendix Twin
Piston Caliper – First Design

Typical Applications: Navistar

Characteristics: External
Joining Tube
Casting No. 4151020, 2238229

Related Items:

Disc Pads: MK 184 HD, MK 184
PREM
Hardware Kit: H5634
Shim Kit: H8203



55314 (Service)
R55314 (Reman. Exch.)

Description: 2.60" Bendix Twin
Piston Caliper – Second Design

Typical Applications: Navistar

Characteristics: Press-in
Piston Boot

Casting No. 4151733

Related Items:

Disc Pads: MK 184 HD, MK 184
PREM

Hardware Kit: H5634

Shim Kit: H8203



55250 (Service)
R55250 (Reman. Exch.)

Description: 2.88" Bendix Twin
Piston Caliper

Typical Applications: Navistar
GMC/CHEVROLET

Characteristics: First/Second
Design 2.88"

Caliper Use Same Casting
Casting No. 4150844

Related Items:

Disc Pads: MK 225 HD, MK 225
PREM

Hardware Kit: H5635

Shim Kit: H8203



55251 (Service)
R55251 (Reman. Exch.)

Description: 2.50" Dayton
Walther Twin Piston Caliper

Typical Applications: Ford
GMC/CHEVROLET

Characteristics: Slide Rail
Design

Related Items:

Disc Pads: MK 224 HD, MK 224
PREM

Hardware Kit: H5636

Shim and Hardware Kit: 107631



55252 (Service)
R55252 (Reman. Exch.)

Description: 2.88" Dayton
Walther Twin Piston Caliper

Typical Applications: Ford
GMC/CHEVROLET

Characteristics: Grooved Rail
Design

Related Items:

Disc Pads: MK 236 HD, MK 236
PREM

Hardware Kit: H5637

Shim and Hardware Kit:

107632 - 3/8" Retainer Bolt

107633 - 5/16" Retainer Bolt



AUDIO VISUAL PROGRAMS				
Form	Description	Package Quantity	Cost \$	Format
AIR BRAKE SYSTEMS				
BW1673	Four-part Video System Training with Workbooks	1 set	60.00	VHS
BW1674	Part 1 of BW1673 Service Brake System	1	15.00	VHS
BW1675	Part 2 of BW1673 Service Brake System	1	15.00	VHS
BW1676	Part 3 of BW 1673 Emergency & Parking	1	15.00	VHS
BW1677	Part 4 of BW1673 Tractor & Trailer	1	15.00	VHS
BW1678	Workbook for BW1673	1	1.25	Book
Antilock				
BW1684	Bendix Antilock for Trailers	1	15.00	VHS
BW1681	Ford/Bendix Antilock	1	15.00	VHS
BW1761	Troubleshooting Full Vehicle Wheel Control Antilock (EC-15) Braking Systems	1	15.00	VHS
BW1913	School Bus Driver Antilock - Navistar	1	15.00	VHS
BW1807	Bendix Antilock for Volvo Trucks	1	15.00	VHS
BW1714	Bendix Antilock with Automatic Traction Control	1	15.00	VHS
BW1831	Trailer ABS Installation	1	15.00	VHS
BW1658	Navistar Tractor	1	15.00	VHS
BW1770	Troubleshooting Full Vehicle Wheel Control Antilock with Traction Control (EC-16)	1	15.00	VHS
BW1870	Trailer Antilock Installation for Trailer OE's	1	5.00	VHS
BW1762	Bendix Antilock with Traction for Navistar	1	5.00	VHS
BW1912	School Bus Driver Antilock Video - Generic Bus	1	5.00	VHS
BW1950	Truck Drivers Antilock	1	15.00	VHS
BW1951	Truck Drivers Antilock - Navistar	1	15.00	VHS
Miscellaneous				
BW1559	Fundamentals of Air Brakes (Program A)	1	5.00	VHS
BW1632	121 Air Brake Troubleshooting (Program K)	1	10.00	VHS
BW1606	121 Air Brake Troubleshooting	1	5.00	VHS
BW1558	Foundation & Brake Friction Materials	1	5.00	VHS
BW1828	Introducing the Bendix AD-IP & AD-SP Air Dryers	1	5.00	VHS
BW1793	Core Processing	1	5.00	VHS
BROCHURES/PRODUCT SHEETS/FLYERS				
Actuating Devices				
BW2116	Spring Brake	25	0	Product Sheet
Air Dryers				
BW1763	Rockwell to Bendix Air Dryers	25	0	Flyer
BW1767	AD-SP System Purge Air Dryer	25	0	Flyer
BW2023	AD-IP System-Guard Air Dryer	25	0	Product Sheet
BW2063	Trailer System-Guard Air Dryer	25	0	Brochure
BW2075	PuraGuard System Filter	25	0	Product Sheet
BW2076	EverFlow Air Dryer Control Module	25	0	Product Sheet
BW2088	AD-9 System-Guard Air Dryer	25	0	Product Sheet
Air Disc Brakes				
BW2015	Air Disc Brakes	25	0	Brochure
Antilock				
BW1654	Trailer Antilock Braking System Troubleshooting	25	0	Brochure
BW1822	How to Use ABS	25	0	Flyer
BW1849	ABS Vehicle Matrix	25	0	Flyer
BW1891	Traction Control - Volvo	25	0	Brochure
BW1904	School Bus Drivers Guide to Antilock Brakes	10	0	Brochure
BW2017	ValuTrac	25	0	Product Sheet
BW2019	Truck/Tractor/Bus Antilock Braking Systems	25	0	Product Sheet
BW2020	Trailer Antilock Braking Systems	25	0	Product Sheet
BW2021	ACom for Windows Diagnostic Software	25	0	Product Sheet



Sales Promotions and Training Materials

Form	Description	Package Quantity	Cost \$	Format
Compressors				
BW1619	Bendix Airforce Tu-Flo 750	25	0	Product Sheet
BW1642	Bendix Airforce Tu-Flo 550	25	0	Product Sheet
BW1372	Compressors	25	0	Brochure
BW1971	Troubleshooting Compressor Oil Passing	25	0	Flyer
BW2022	DuraFlo 596 Compressor	25	0	Product Sheet
BW2043	TA-1 Oil In Air Indicator	25	0	Product Sheet
Fan Clutch				
BW1812	Truck Products - Fan Clutch	10	0	Flyer
Friction Material				
BW1486	Brake Block Comparison Chart - Asbestos Free	25	0	Flyer
BW1371	Ultravar	25	0	Brochure
BW1709	Ultravar Brake Block Application Guide	10	0	Brochure
BW1787	Brake Block	10	0	Brochure
Hydraulics				
BW1638	Hydromax Service Brake System	10	0	Brochure
BW1399	Troubleshooting the Vacuum Hydraulic Brake System	25	0	Brochure
BW2016	Premium Grade Loaded Calipers	25	0	Flyer
Modules				
BW2096	Dryer Reservoir Module	25	0	Product Sheet
Slack Adjusters				
BW1268	ASA-5 Automatic Slack Adjuster	25	0	Brochure
BW1641	ASA-5 Installation Template	10	0	Template
Valves				
BW1402	Valve Changeover Guide with Crack Pressures	25	0	Flyer
BW1617	BPR-1 Relay Valve	25	0	Flyer
BW1816	QR-L Quick Release Valve	10	0	Flyer
BW1894	Informational Flyer for SC-3 Release Simplify Your Life	5	0	Flyer
BW1864	PP-1 & PP-7 Control Valves	10	0	Flyer
BW1704	R-12P Pilot Relay Valve	25	0	Flyer
BW1683	SR-5 - Don't Make Driver Wait for Spring Brake Release	25	0	Flyer
BW1749	SR-5 & R-12 Changeover from Midland FFV Valve	25	0	Flyer
BW1817	SR-5 Changeover from Midland	25	0	Flyer
BW1818	SR-5 Changeover from Sealco	25	0	Flyer
BW1819	SR-5 Changeover from Tramec	25	0	Flyer
BW2008	R-12 DuraDrain Relay Valve	25	0	Product Sheet
BW2047	Genuine Bendix Valves	25	0	Product Sheet
Miscellaneous				
BW1555	Air Pressure Balance & Test	10	0	Brochure
BW1865	Bendix Air Brake Training	10	0	Flyer
BW1903	Electronic Ordering System	5	0	Brochure
BW1633	History of Bendix Air Brakes	25	0	Brochure
BW1685	Product Application Checklist	5	0	Flyer
BW1699	Sales Promotions & Training Materials (this flyer)	25	0	Flyer
BW1896	Web Page Flyer	10	0	Flyer
BW2097	Genuine Bendix Quality	25	0	Product Sheet
BW2096	Dryer Reservoir Module	25	0	Product Sheet
BW1279	Air System Test Procedure	25	0	Flyer
Catalogs/Service Manuals/Bulletins				
BW9100	Air Parts Catalog Only	1	10.00	Catalog
BW9000	Catalog Complete - Air & Hydraulic	1	15.00	Catalog
BW9001	Complete Catalog w/o Binder	1	12.00	Catalog
BW1419	FMSI Book	1	1.25	Catalog
BW9200	Hydraulic Parts Catalog	1	10.00	Catalog
BW2007	Industrial Products Catalog	25	0	Catalog
BW1114	Quick Reference	25	0	Catalog

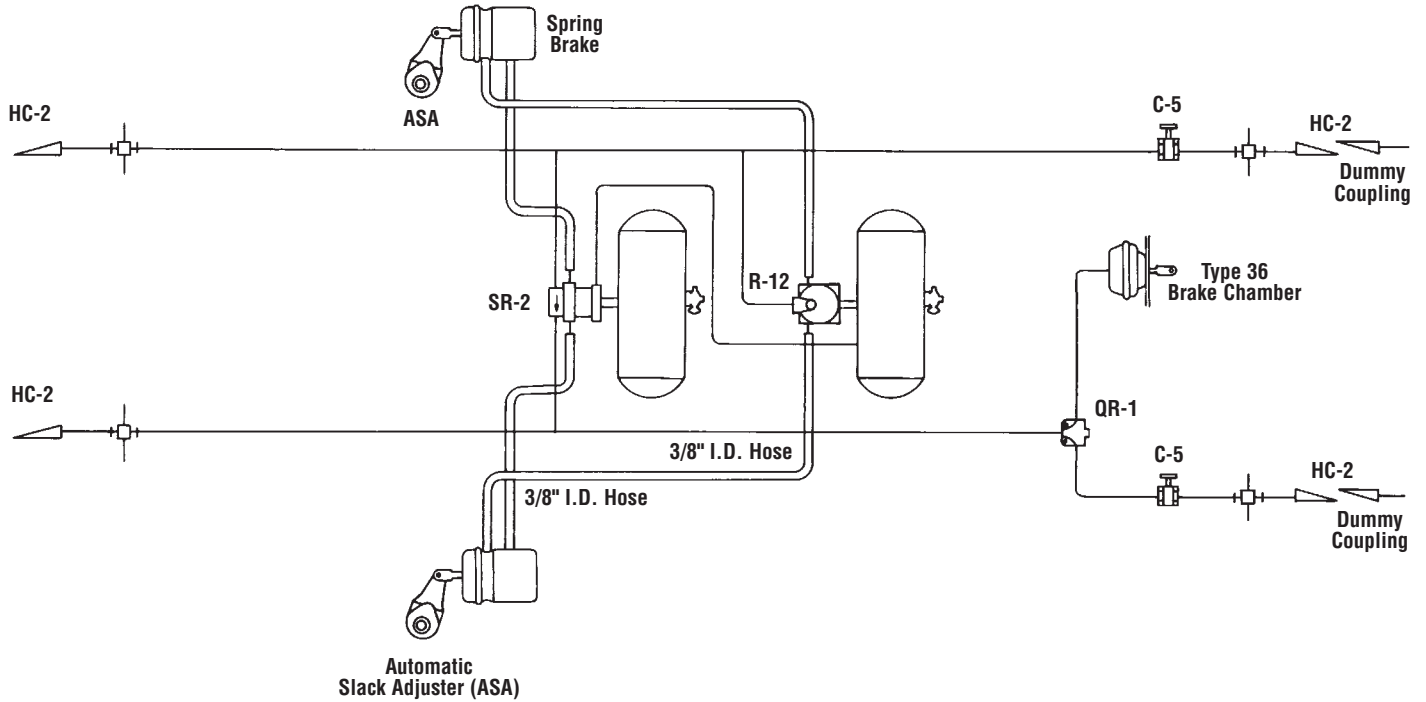
Form	Description	Package Quantity	Cost \$	Format
Catalogs/Service Manuals/Bulletins (cont.)				
BW1813	Truck Products Catalog Horton Fan Clutch	5	0	Catalog
BW1736	Truck Products Compressors	5	0	Catalog
BW1821	Truck Products International Parts	5	0	Catalog
BW1746	Truck Products Valves	5	0	Catalog
BW1618	Piece Number Reference (Changeover)	1	2.00	Catalog
Service Information				
BW9600	Service Data Manual Complete	1	15.00	SD
BW5057	Air Brake Handbook	10	0	Handbook
Binders				
BW1532	Empty Binder for Catalog, Service Manual & Bulletins	1	5.00	Catalog
Fast Facts - Technical Tips				
BW1814	Hot Tips for Cold Days	10	0	Flyer
BW1764	Compressor Safety Valves ST-4	25	0	FastFacts
BW1771	Charging System & the AD-9 Air Dryer	25	0	FastFacts
BW1789	Medium Duty Hydraulic Flyer	25	0	FastFacts
BW1798	Fast Facts Compressor Safety Valves	25	0	FastFacts
BW1815	The Cold Facts of Winter Operation	25	0	FastFacts
BW1835	D-2 Governor	25	0	FastFacts
Folders				
BW1362	Controlled Stops Brochure	25	0	Folder
BW1855	The Professional's Choice Sales Folder	1	0	Folder
Laminated Cards & Wall Charts				
Systems-Air				
BW902	Bus System Wall Chart	3	.75	Wall Chart
BW1397	Coach w/ DD-3 Park System & Coach w/ Spring Brake Park System	25	.75	Lam Card
BW1640	Driver Training School Bus Air Brake System	25	.75	Lam Card
BW1231	Dual Systems Wallchart	3	.75	Lam Card
BW1396	Dual Systems Laminated Card	25	.75	Lam Card
BW1381	Navistar System Wallchart	3	.75	Wall Chart
BW1779	Troubleshooting Charging & Air Supply Systems	25	.75	Lam Card
Systems-Hydraulic				
BW1705	Hydromax Laminated System Card w/ Troubleshooting	25	.75	Lam Card
BW1611	Power Hyd. Brake Systems	3	.75	Wall Chart
BW1612	Power Hyd. Brake Systems	25	.75	Lam Card
BW1706	Power Hyd. Brake Systems	25	.75	Lam Card
BW1398	Vacuum Hydraulic	3	.75	Wall Chart
Antilock				
BW1732	Antilock Traction Troubleshooting AT-1, 2	25	.75	Lam Card
BW1729	EC-15 Troubleshooting - Navistar	25	.75	Lam Card
BW1740	Troubleshooting Full Vehicle Wheel Control/Antilock - EC-15	25	.75	Lam Card
BW1742	Troubleshooting - MC-12 Trailer Antilock System	25	.75	Lam Card
BW1785	Trailer Antilock Installation	3	.75	Wall Chart
Cores				
BW1299	Core Group	3	0	Wall Chart
BW1330	Mini Core Chart	25	0	Wall Chart
Promo & Admaker				
Admaker				
BW1307	Getting Noticed Admaker Kit	1	33.00	Admaker

Note: Cost \$ = cost per each item.

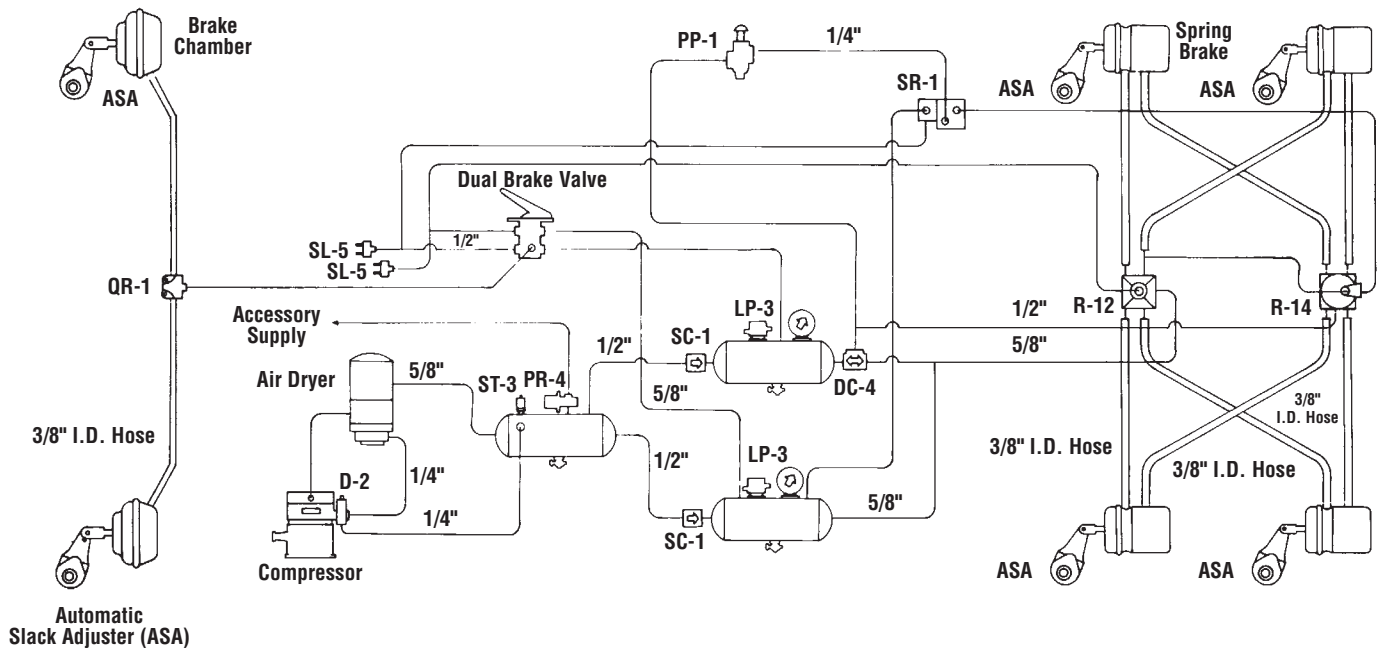
Items must be ordered in multiples of the package quantity shown.

For additional product and literature information, visit our web site at <http://www.Bendix.com>

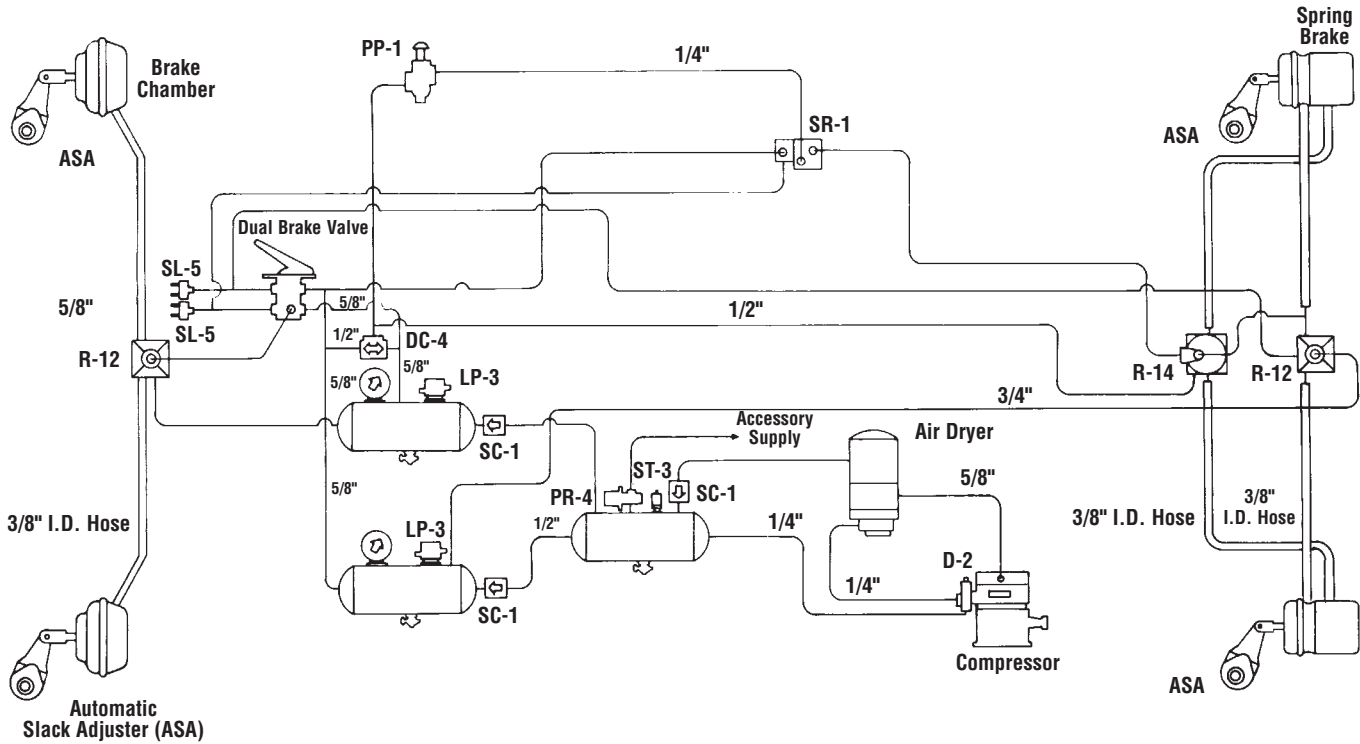
TWO WHEEL TOWING TRAILER



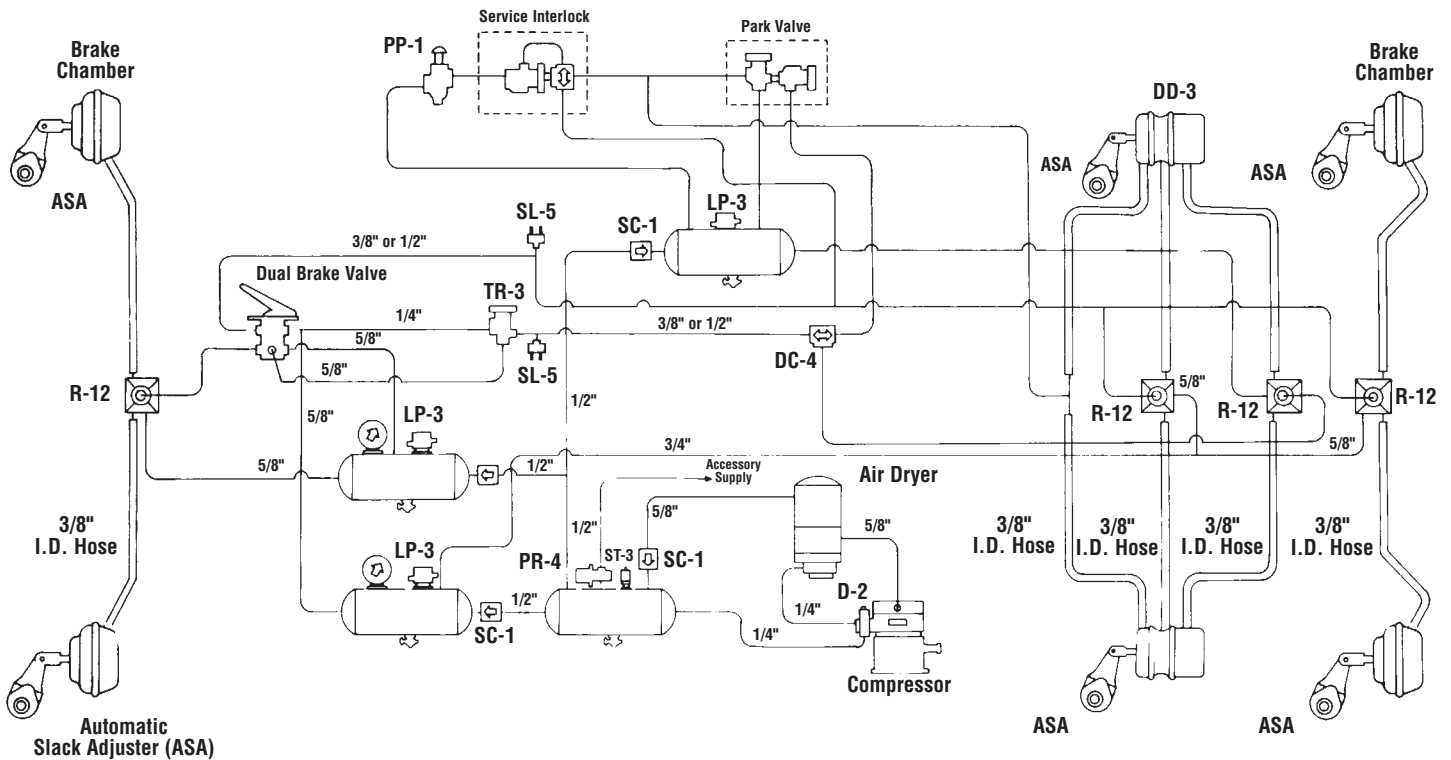
SIX WHEEL TRUCK



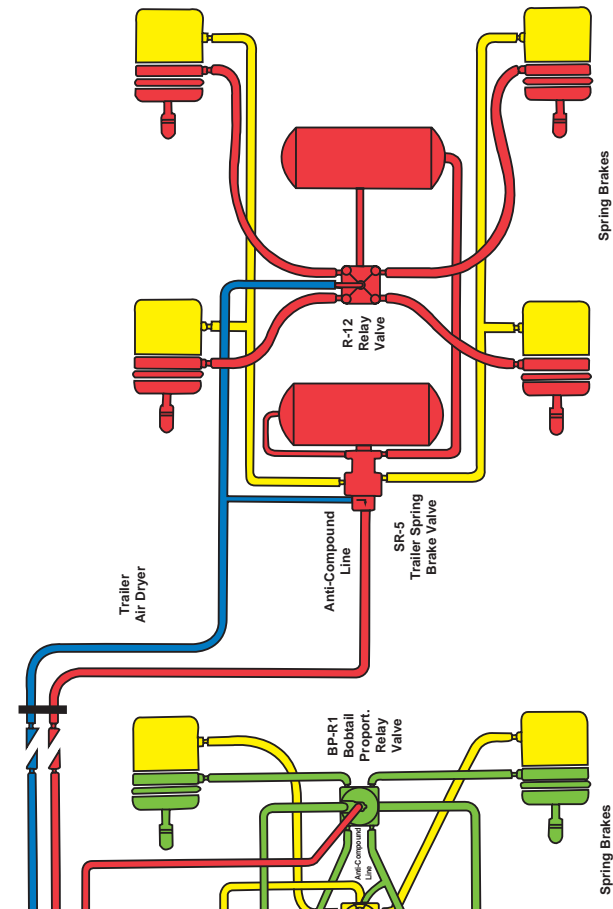
SCHOOL BUS



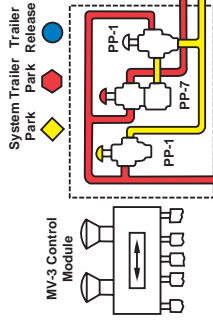
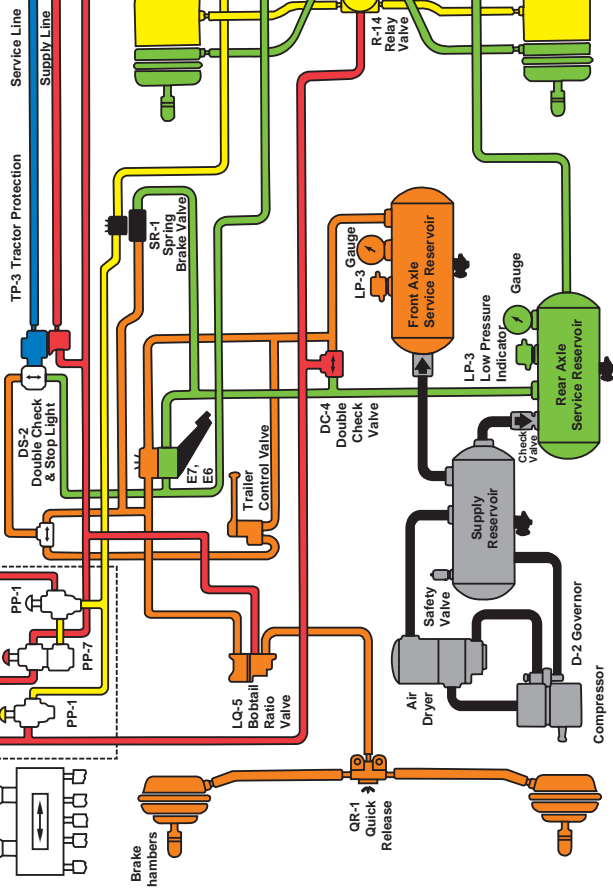
COACH (TAG AXLE) WITH A TWO STEP PARKING BRAKE RELEASE (DD-3)



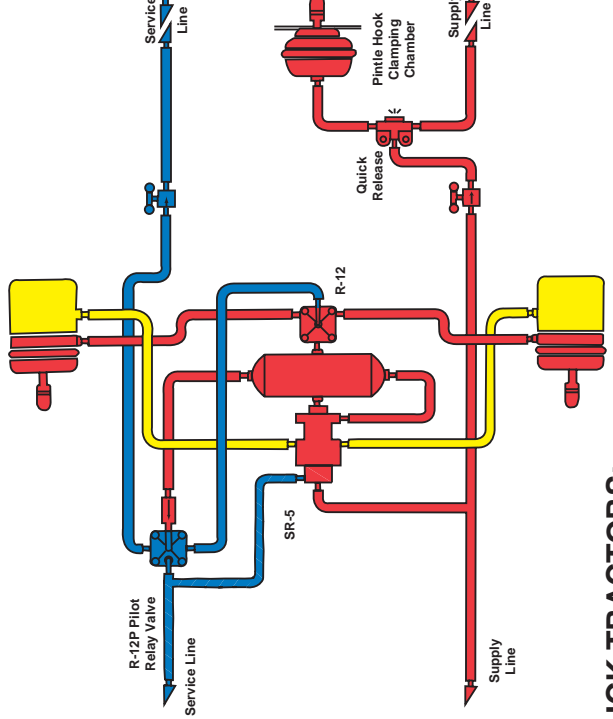
TRAILER SYSTEM



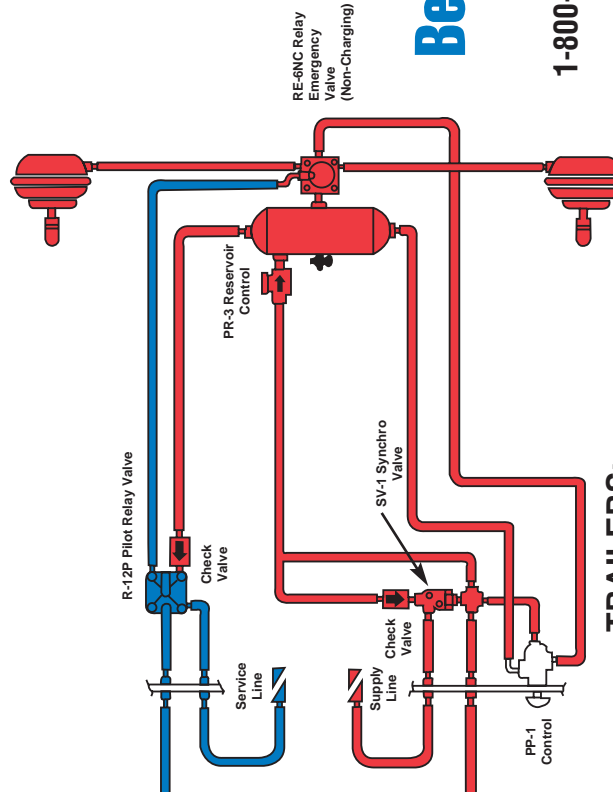
TRUCK/TRACTOR SYSTEM



TOWING TRAILER



CONVERTER DOLLY



TRUCKS AND TRUCK TRACTORS:

- Charging
- Primary
- Secondary
- Park (Supply)
- Parking (Control)

TRAILERS:

- Trailer (Supply)
- Trailer (Control)
- Trailer (Park)



1-800-AIR-BRAKE



ahead of the curve

**Bendix
Commercial
Vehicle Systems**

1.800.AIR-BRAKE

1.800.247.2725

Bendix.com

Service Plants

U.S.A.

Huntington

1850 Riverfork Drive West
Huntington, Indiana 47650

219.356.9720

Sparks

1095 Spice Island Dr.
Suite 101

Sparks, Nevada 89431

775.353.4255

Canada

8851 Cresent 4

Anjou, Quebec
H1J 1A9

514.323.0303

BW1114 © Honeywell Commercial Vehicle Systems
Company 7/2000 Printed in U.S.A.

